

Single Phase Induction Motor

MODERNA Single phase ML Series Aluminum Motors are dual capacitors, high starting torque high rated torque Motor size acc. to IEC34-1. DIN 42673. Totally Enclosed Fan cooled Light construction Top mounted terminal box IP55 Protection, IC411 cooling. Choice of foot or flange mounting Motor frame size from 56-112 Rated at 220V 50Hz.

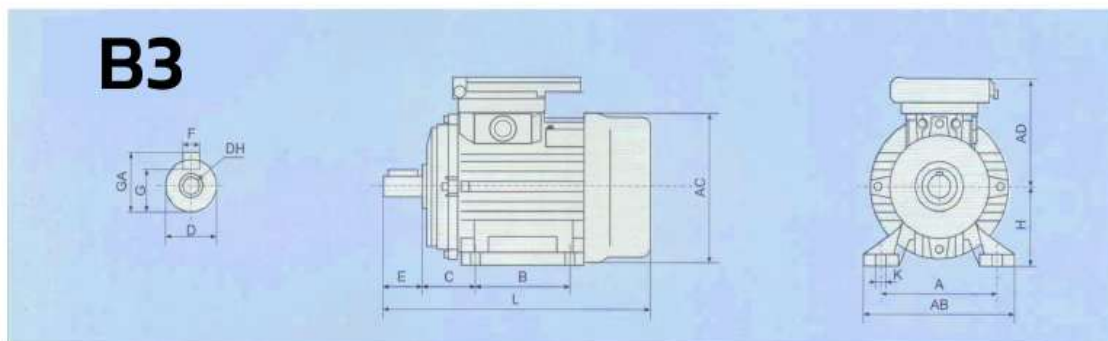


ML: Dual capacitor for start and run
MY: Single capacitor for run (only for size 56)

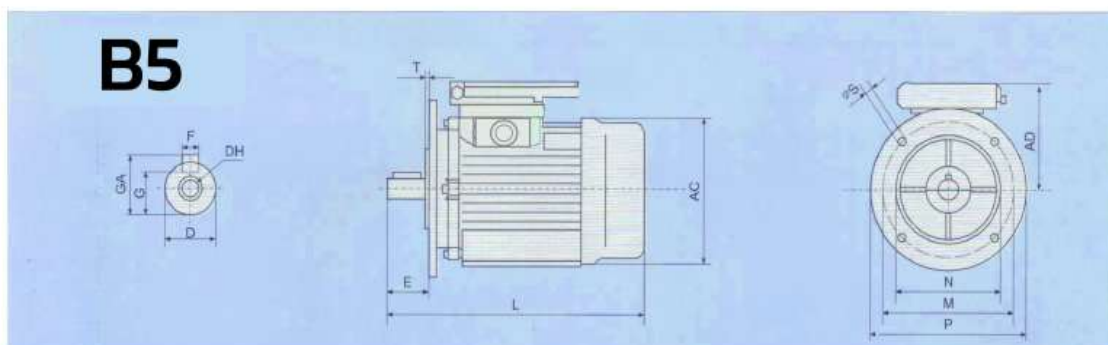
Technical Data

| Type | Output | | Voltage (V) | Current (A) | Speed (r/min) | Eff (%) | Power Factor | Frequency HZ | Tstart/Tn | Istart/In | Tmax/Tn |
|------------|--------|------|-------------|-------------|---------------|---------|--------------|--------------|-----------|-----------|---------|
| | HP | KW | | | | | | | | | |
| MY-5624 | 0.12 | 0.09 | 220 | 0.81 | 1400 | 56 | 0.90 | 50 | 0.45 | 2.9 | 1.7 |
| ML-6324 | 0.25 | 0.18 | 220 | 1.41 | 1400 | 60 | 0.92 | 50 | 1.8 | 6.0 | 1.8 |
| ML-7112 | 0.5 | 0.37 | 220 | 2.73 | 2800 | 67 | 0.92 | 50 | 1.8 | 6.0 | 1.8 |
| ML-7122 | 0.75 | 0.55 | 220 | 3.88 | 2800 | 70 | 0.92 | 50 | 1.8 | 6.0 | 1.8 |
| ML-7114 | 0.33 | 0.25 | 220 | 1.99 | 1400 | 62 | 0.92 | 50 | 1.8 | 6.0 | 1.8 |
| ML-7124 | 0.5 | 0.37 | 220 | 2.81 | 1400 | 65 | 0.92 | 50 | 1.8 | 6.0 | 1.8 |
| ML-8012 | 1 | 0.75 | 220 | 5.15 | 2810 | 72 | 0.92 | 50 | 1.8 | 6.0 | 1.8 |
| ML-8022 | 1.5 | 1.1 | 220 | 7.02 | 2810 | 75 | 0.95 | 50 | 1.8 | 6.0 | 1.8 |
| ML-8014 | 0.75 | 0.55 | 220 | 4.0 | 1410 | 68 | 0.92 | 50 | 1.8 | 6.0 | 1.8 |
| ML-8024 | 1 | 0.75 | 220 | 5.22 | 1410 | 71 | 0.92 | 50 | 1.8 | 6.0 | 1.8 |
| ML-90S-2 | 2 | 1.5 | 220 | 9.44 | 2820 | 76 | 0.95 | 50 | 1.8 | 6.0 | 1.8 |
| ML-90L-2 | 3 | 2.2 | 220 | 13.7 | 2820 | 77 | 0.95 | 50 | 1.8 | 6.0 | 1.8 |
| ML-90S-4 | 1.5 | 1.1 | 220 | 7.21 | 1430 | 76 | 0.95 | 50 | 1.8 | 6.0 | 1.8 |
| ML-90L-4 | 2 | 1.5 | 220 | 9.57 | 1430 | 75 | 0.95 | 50 | 1.8 | 6.0 | 1.8 |
| ML-100L-2 | 4 | 3 | 220 | 18.4 | 2850 | 78 | 0.95 | 50 | 1.8 | 6.0 | 1.8 |
| ML-100L1-4 | 3 | 2.2 | 220 | 13.9 | 1440 | 76 | 0.95 | 50 | 1.8 | 6.0 | 1.8 |
| ML-100L2-4 | 4 | 3 | 220 | 18.6 | 1440 | 77 | 0.95 | 50 | 1.8 | 6.0 | 1.8 |
| ML-112M-2 | 5 | 3.7 | 220 | 22.2 | 2850 | 80 | 0.95 | 50 | 1.8 | 6.0 | 1.8 |
| ML-112M-4 | 3 | 2.2 | 220 | 13.9 | 1450 | 76 | 0.95 | 50 | 1.8 | 6.0 | 1.8 |
| ML-112M1-4 | 4 | 3 | 220 | 18.6 | 1450 | 77 | 0.95 | 50 | 1.8 | 6.0 | 1.8 |
| ML-112M2-4 | 5 | 3.7 | 220 | 23 | 1450 | 78 | 0.95 | 50 | 1.8 | 6.0 | 1.8 |

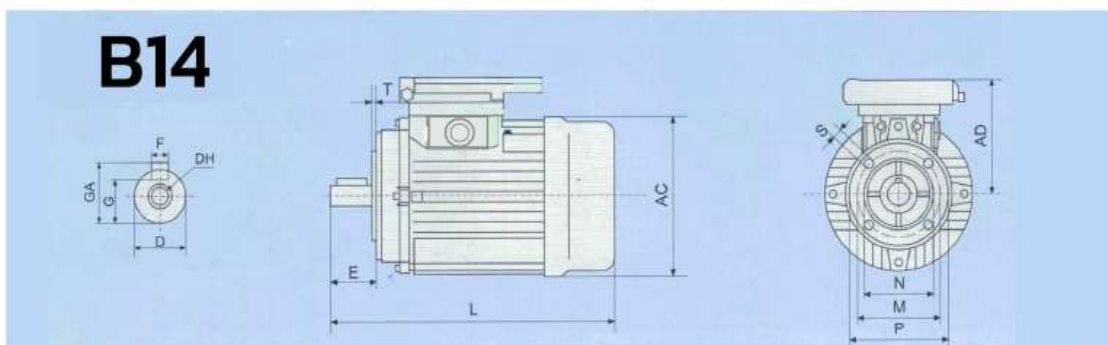
B3



B5



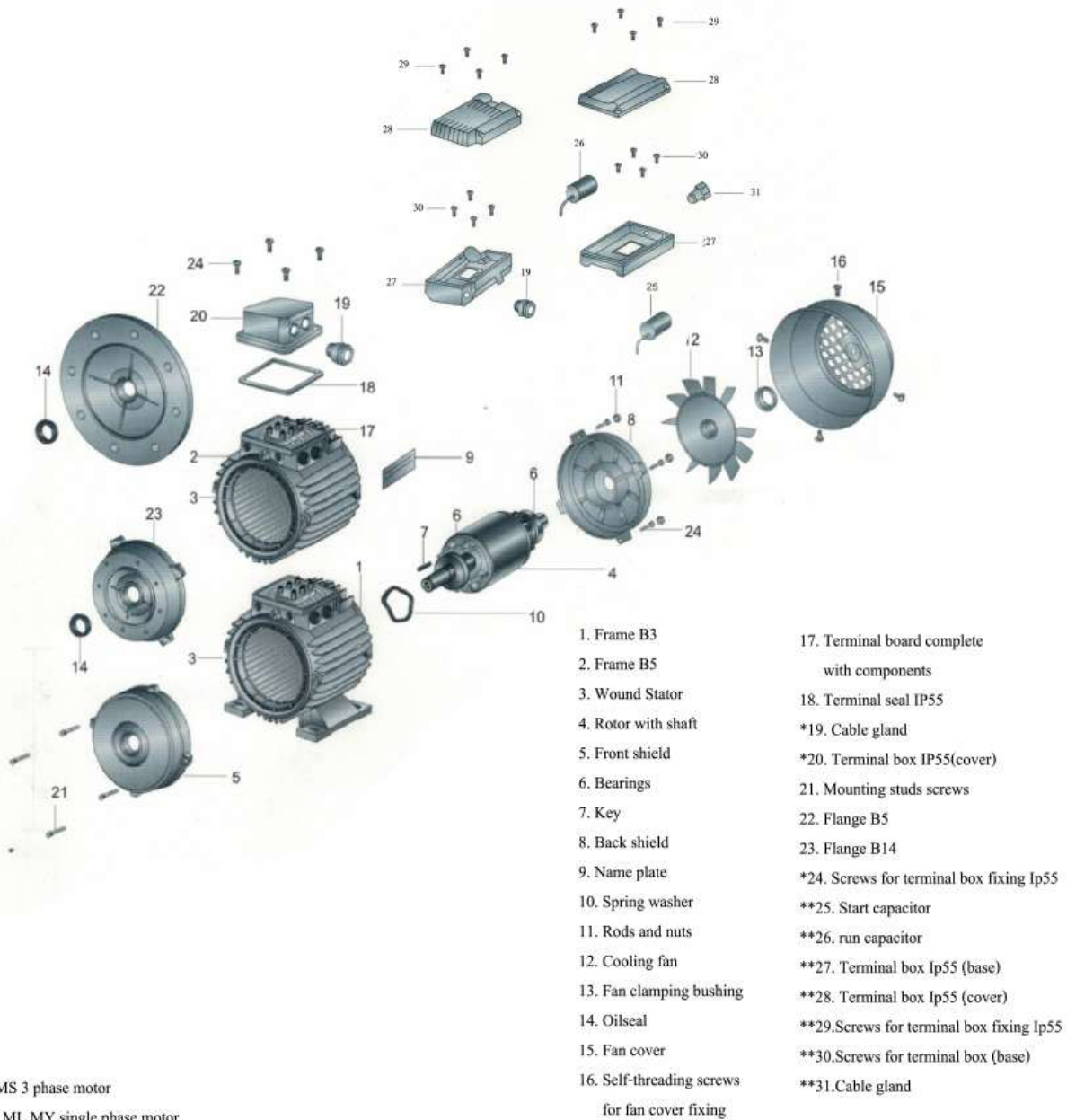
B14



B5

B14

| Frame | A | AB | AC | AD | B | C | D | DH | E | F | G | H | k | L | M | N | P | S | M | N | P | S | T | GA |
|-------|-----|-----|-----|-----|-----|----|----|---------|----|---|------|-----|----|-----|-----|-----|-----|-----|-----|-----|-----|----|-----|------|
| 56 | 90 | 110 | 110 | 88 | 71 | 36 | 9 | M4 x 12 | 20 | 3 | 7.2 | 56 | 7 | 189 | 100 | 80 | 120 | 8.5 | 65 | 50 | 80 | M5 | 3 | 10.2 |
| 63 | 100 | 122 | 130 | 93 | 80 | 40 | 11 | M4 x 12 | 23 | 4 | 8.5 | 63 | 7 | 218 | 115 | 95 | 140 | 10 | 75 | 60 | 90 | M5 | 3 | 12.5 |
| 71 | 112 | 136 | 145 | 100 | 90 | 45 | 14 | M5x 12 | 30 | 5 | 11 | 71 | 7 | 250 | 130 | 110 | 160 | 10 | 85 | 70 | 105 | M6 | 3.5 | 16 |
| 80 | 125 | 154 | 165 | 132 | 100 | 50 | 19 | M6x16 | 40 | 6 | 15.5 | 80 | 10 | 278 | 165 | 130 | 200 | 12 | 100 | 80 | 120 | M6 | 3.5 | 21.5 |
| 90S | 140 | 174 | 185 | 142 | 100 | 56 | 24 | M8 x 19 | 50 | 8 | 20 | 90 | 10 | 335 | 165 | 130 | 200 | 12 | 115 | 95 | 140 | M8 | 3.5 | 27 |
| 90L | 140 | 174 | 185 | 142 | 125 | 56 | 24 | M8 x 19 | 50 | 8 | 20 | 90 | 10 | 360 | 165 | 130 | 200 | 12 | 115 | 95 | 140 | M8 | 3.5 | 27 |
| 100L | 160 | 194 | 215 | 182 | 140 | 63 | 28 | M10x22 | 60 | 8 | 24 | 100 | 12 | 377 | 215 | 180 | 250 | 15 | 130 | 110 | 160 | M8 | 4 | 31 |
| 112M | 190 | 224 | 220 | 184 | 140 | 70 | 28 | M10x22 | 60 | 8 | 24 | 112 | 12 | 395 | 215 | 180 | 250 | 15 | 130 | 110 | 160 | M8 | 4 | 31 |



*for MS 3 phase motor

**for ML,MY single phase motor

| FRAME SIZE | DRIVING END BEARINGS | NON DRIVING END BEARINGS | OILSEAL | PG THREAD |
|------------|----------------------|--------------------------|-------------|-----------|
| 56 | 6201ZZ-C3 | 6201ZZ-C3 | Ø12 x Ø22X5 | PG11 |
| 63 | 6201ZZ-C3 | 6201ZZ-C3 | Ø12 x Ø22X7 | PG11 |
| 71 | 6202ZZ-C3 | 6202ZZ-C3 | Ø15 x Ø25X7 | PG11 |
| 80 | 6204ZZ-C3 | 6204ZZ-C3 | Ø20 x Ø30x7 | PG13.5 |
| 90 | 6205ZZ-C3 | 6205ZZ-C3 | Ø25 x Ø37X7 | PG1G |
| 100 | 6206ZZ-C3 | 6206ZZ-C3 | Ø30 x Ø42x7 | PG16 |
| 112 | 6206ZZ-C3 | 6206ZZ-C3 | Ø30 x Ø42x7 | PG21 |
| 132 | 6208ZZ-C3 | 6208ZZ-C3 | Ø40 x Ø58x7 | PG21 |

This catalogue is only a reference for users. The concrete data may be changed please contact with us before ordering