



EXTENSION

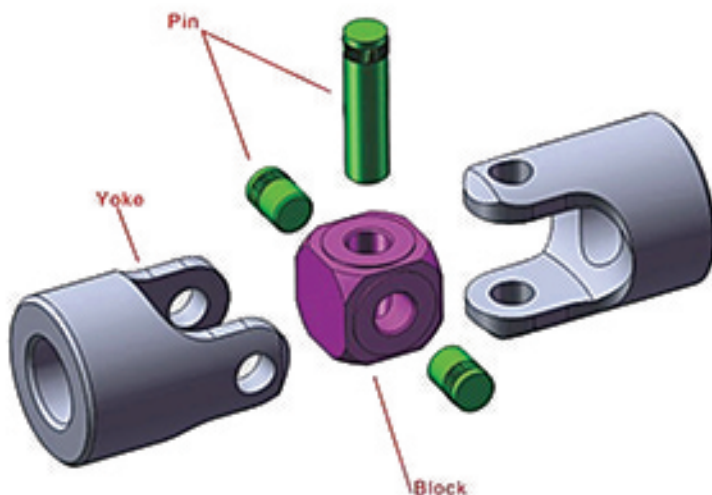


## Roflex PB SERIES

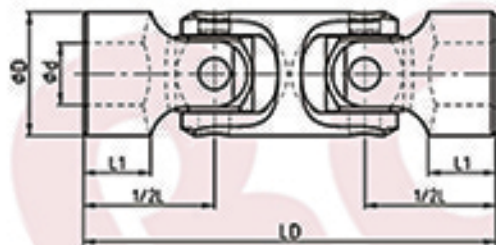
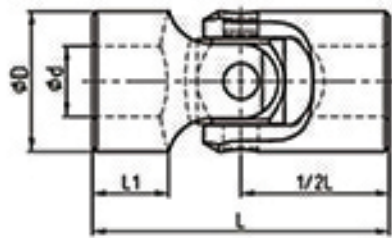
### PB Series

- Max operating speed: 800 rpm
- Max working angle : 35°
- Tried, proven and trusted pin and block design
- Yoke are made from high strength steel
- Optional quenching and tempering or high frequency induction for extra strength in special applications.
- Pin and block are treated with case hardened with carburizing treatment for increased hardness for added benefits of increased lifetime and reliability.
- Applications: cranes, forklifts, steering assembly, levelers, packaging machines, sealing machines, sweeping machines, sewing machines, electric curtains, etc.

For selection of the PB series, please refer to the specifications table to find the ideal size for your



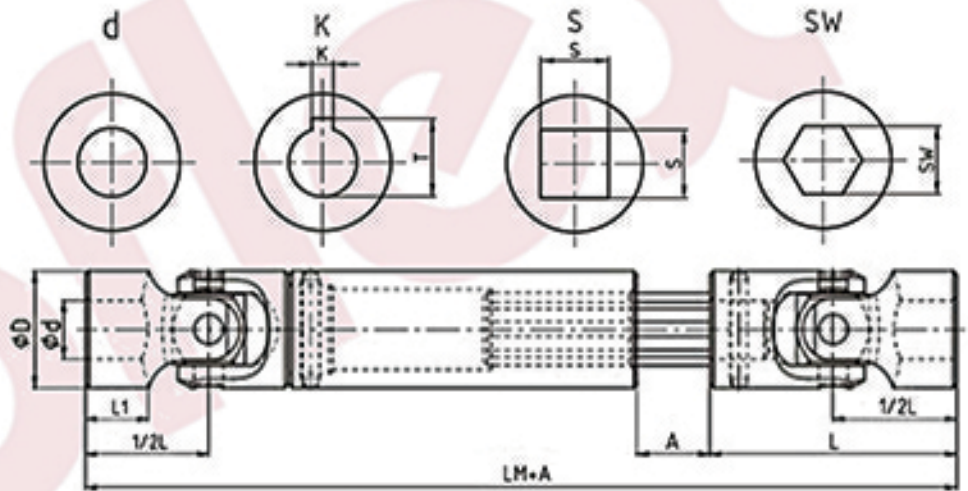
Name	Material
Pin	GCr15
Block	20Cr
Yoke	40Cr



Example PB – S/D/M – D/S/SW –

SERIES  
SINGLE/DOUBLE/EXTENSION  
( PB-S, PB-D, PB-M )  
OUTER DIAMETER

LENGTH  
END HUB CONFIGURATION  
INNER DIAMETER



### PB Series

SERIES	D	d H7	L	1/2L	L1	K JS9	T	S H11	SW H11	LD	LM+A		Allowable torque (N.M)	
											min	max	S	D
PB-13	13	6(H8)	40	20	13.5	/	/	/	/	60	130+20	200+70	4.4	3.2
PB-16	16	8	40	20	12	2	9	8	8	61.5	110+20	200+70	6	4.4
PB-20	20	10	62	22.5	12.5	3	11.4	10	10	91	120+20	200+60	11	8
PB-25	25	12	82	25	13	4	13.8	12	12	118	130+20	500+300	14	10
PB-29	29	14	90	32.5	18	5	16.3	14	14	125	155+20	500+300	30	22
PB-32	32	16	95	34	17.5	5	18.3	16	16	134	160+20	1000+450	50	37
PB-37	37	20	120	41	24	6	22.8	20	20	172	185+20	1000+450	58	43
PB-40	40	22	108	54	33	6	24.8	/	/	164	225+20	1000+210	80	58
PB-44	44	25	130	54	31.5	8	28.3	/	/	190	230+20	1000+330	100	73
PB-50	50	30	140	54	28	8	33.3	/	/	213	230+20	1000+330	140	100
PB-60	60	35	162	65	34	10	38.3	/	/	246	270+20	1000+330	185	135

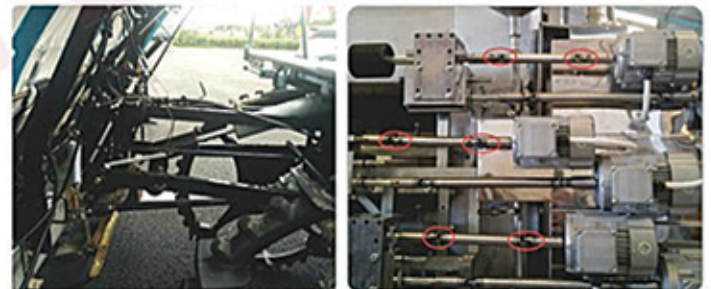
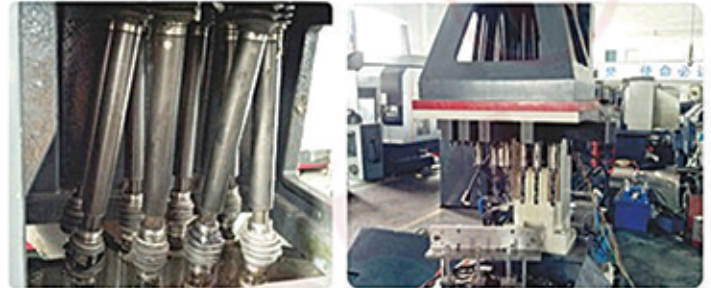
- Max operating speed: 800 rpm
- Max working angle : 35°

Material Pin : GCr15 / Block : 20Cr / Yoke : 40Cr

**PRODUCTS**

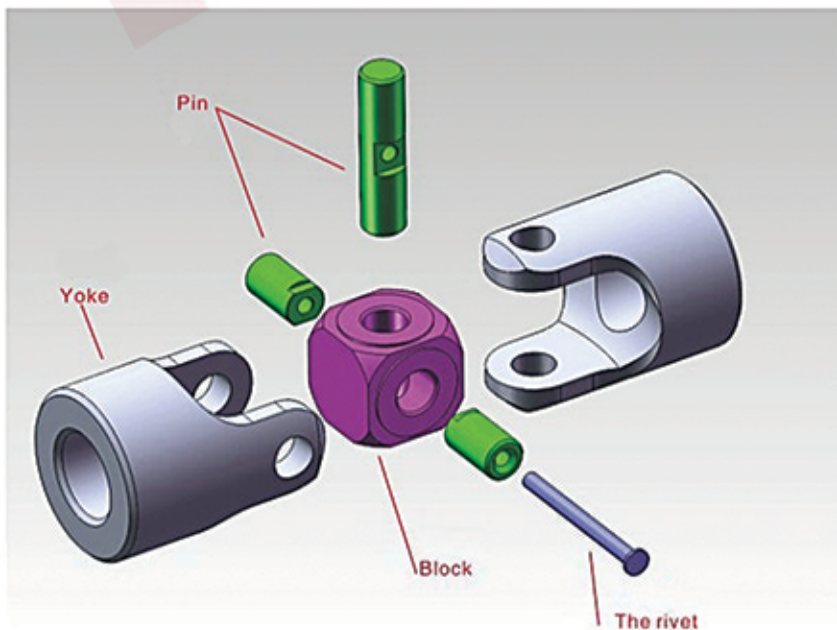


## PR SERIES

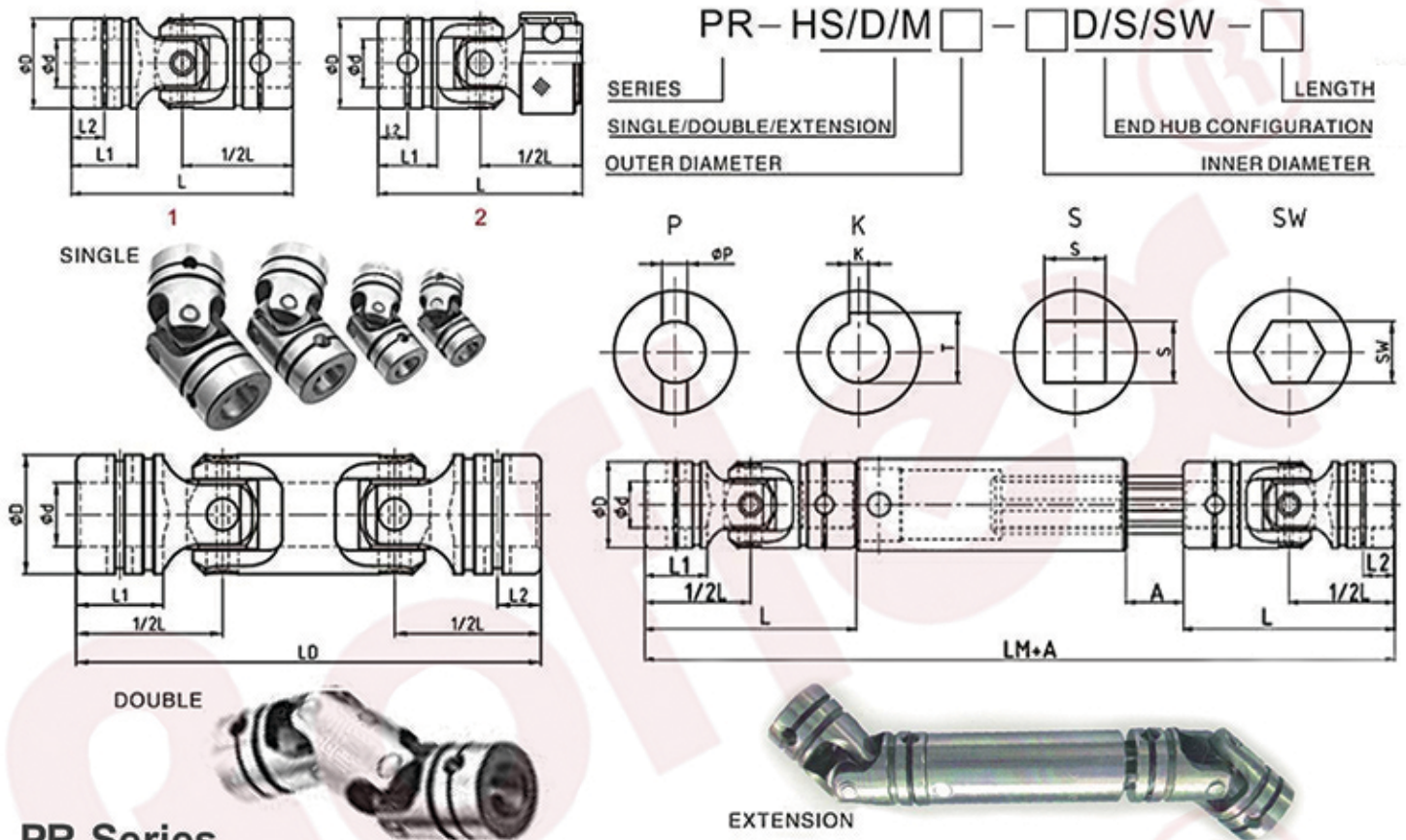


### Roflex PR Series

- Max operating speed: 1500 rpm
  - Max working angle : 35°
  - Tried, proven and trusted pin and block design with through rivet for higher speeds
  - All parts are case hardened with carburizing treatment for increased hardness for added benefits of increased lifetime and reliability.
  - Optional grease boot for lubrication to extend product life.
  - Applications: cutting machines, sealing machines, drilling machines, sewing machines, textile machines, agricultural machines, rolling mills, food processing, etc.
- For selection of the PR series, please refer to the specifications table to find the ideal size for your application.



Name	Material
Rivet	20#
Pin	20CrMnTi, Hardened
Block	20Cr, Hardened
Yoke	20CrMo, Hardened



## PR Series

SERIES	D	d H8	L	1/2L	L1	L2	P H8	K JS9	T	S H11	SW H11	LD	LM+A		Allowable torque (N.M)	
													min	max	S	D
PR-13	13	6	31	15.5	9	4.5	3	/	/	/	/	49.5	110+20	200+90	2.6	1.98
PR-16	16	8	36	18	10	5	3.5	2	9	8	8	58	125+20	200+70	5.8	4.29
PR-20	20	10	42	21	11	5	4	3	11.4	10	10	67.5	135+20	200+60	13.7	10
PR-23	23	12	52	26	14.5	7	5	4	13.8	12	12	83	160+20	500+300	23	16.5
PR-26	26	14	59	29.5	17	8.5	5.8	5	16.3	14	14	94.5	175+20	500+300	33	23
PR-30	30	16	74	37	22	11	6.5	5	18.3	16	16	117.5	205+20	1000+450	51	38
PR-32	32	18	81	40.5	24	11.75	7	6	20.8	18	18	129	220+20	1000+450	66	48
PR-35	35	20	87	43.5	25	12.5	8	6	22.8	20	20	139	240+20	1000+450	87.5	64.5
PR-40	40	22	94	47	27	13.5	9	6	24.8	/	/	150	250+20	1000+210	125.5	92.5
PR-44	44	25	105	52.5	30	15	10	8	28.3	/	/	168	275+20	1000+330	165	124
PR-50	50	30	122	61	35	17.5	11.5	8	33.3	/	/	195	315+20	1000+330	247.5	181.5
PR-59	59	35	140	70	40	20	13	10	38.3	/	/	224	355+20	1000+330	396	297
PR-69	69	40	157	78.5	41	22.5	14.5	12	43.3	/	/	251	/	/	594	445.5
PR-75	75	45	176	88	50	25	16	14	48.8	/	/	282	/	/	792	577.5
PR-83	83	50	191	95.5	54	27.5	17.5	14	53.8	/	/	304	/	/	957	709.5
PR-99	99	50	270	135	80	30	20	14	53.8	/	/	410	/	/	1124	809

• Max operating speed: 1500 rpm • Max working angle : 35°  
 Material ; York : 20 CrMo , Cube : 20 Cr , Pin : 20 CrMnTi , All heat treat