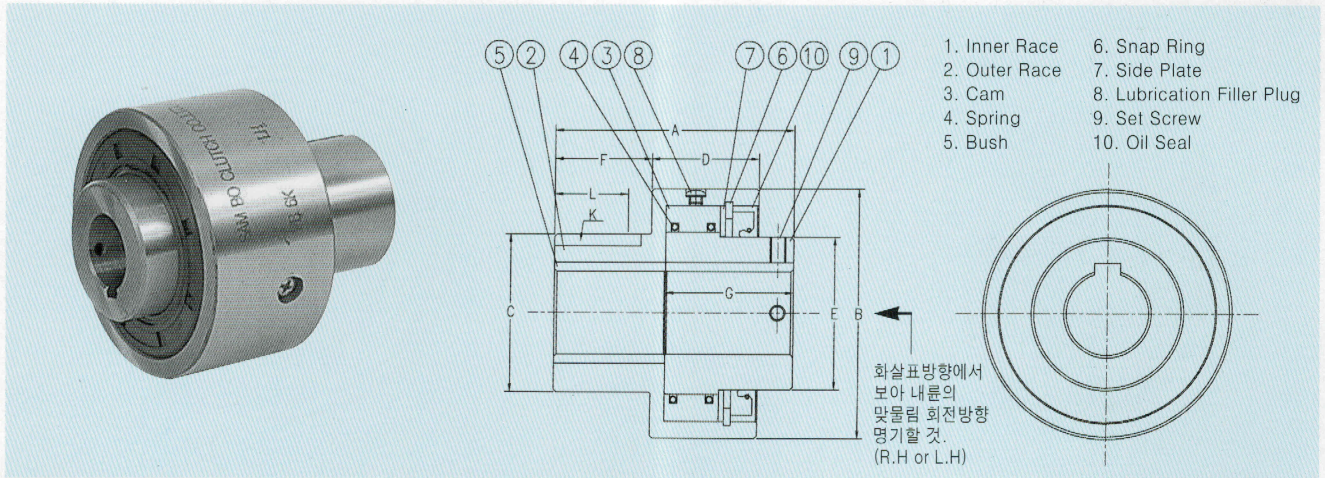




# PB-K Series

다목적용 (FOR GENERAL PURPOSES)



## 사 양 (Specification)

Dimensions—mm

Model	Max. Torque (kgf-m)	Nominal Overrunning Drag (kgf-m)	Max. Overrunning (rpm)		Max. Indexing (cycle /min)	Stock Bore Size		A	B	C (h 7)	D	E	F	G	Outer Race Keyway		Weight (kg)	Lubrication Filler Plug Dia×Pitch
			Inner Race	Outer Race		K	L											
PB 3K	3	0.02	1,800	900	150	10	4×1.5	50	50	23	22	25	21	25.7	4×2.5	16	0.23	M6×1.0
PB 5K	15	0.02	1,800	900	150	16	5×2.0	70	60	32	32	35	25	38.8	5×3.0	20	0.58	M6×1.0
PB 6K	39	0.02	1,500	800	150	20	5×2.0	82	73	38	38	37	33	41.0	5×3.0	27	1.1	M6×1.0
PB 8K	58	0.03	1,200	650	150	25	7×3.0	85	83	45	40	45	33	42.0	7×4.0	27	1.6	M6×1.0
PB 10K	86	0.04	1,000	400	150	31.5	10×3.5	92	95	60	41	58	37	44.0	10×4.5	28	2.5	M6×1.0
PB 12K	156	0.04	800	300	150	40	10×3.5	100	113	65	50	66	37	52.6	10×4.5	29	3.6	M6×1.0
PB 14K	215	0.06	700	300	150	45	12×3.5	112	133	75	54	76	41	57.3	12×4.5	30	6.0	M6×1.0

## 특 징

1. PB-K시리즈는 긴수명과 함께 높은 토크 용량을 감당해주는 정밀형 캠 구조로 되어 있다.
2. 커플링(축이음)으로는 사용치 못한다.
3. 주문시 회전방향을 명기할 것. (우맞물림(R.H) or 좌맞물림(L.H))
4. Model PB 5K~PB 14K는 3개의 프러그(윤활구멍)가 있음. (PB3K는 단 한개의 프러그가 있음)
5. 외기온도 범위가 -6 C 에서 55 C까지에서 가동할수있다.

### ※모델별 축의 공차

Model	Shaft Tolerance
PB3K, PB5K, PB6K, PB8K	0 to -0.013
PB10K, PB12K, PB14K	0 to -0.016

## Character

1. PB-K Series clutches feature precision formed cams which provide highest torque capacities with excellent wear life.
2. Do not use the PB clutch as a coupling
3. Specify right(R.H) or left hand (L.H) inner race drive viewed from direction of arrow mark when ordering.
4. Model PB5K ~ PB14K Series have 3 pcs of filler except PB3K which has one only.
5. These units can be operated in ambient temperature of -6°C ~ 55°C

## 설치에 (application)

