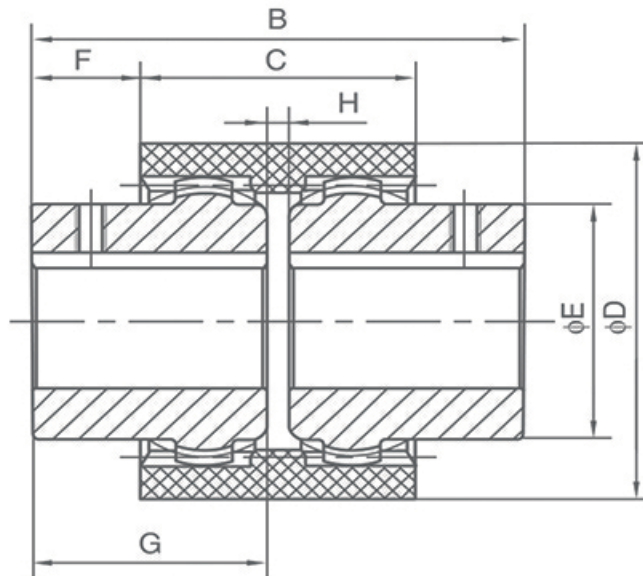


Roflex *GF-Coupling*

GF tooth coupling are widely used in variety mechanical engineering and hydraulic field. Suitable for horizontal and vertical installation. Axial shaft inserting assembly, which is very convenient for users. Adopting curve surface drum type tooth to avoid focal of stress when installation tolerances happen. Steel gear and nylon teeth sheath assembled together to avoid maintenance, which is capable to compensate axial, radial and angular tolerance in term of two shaft lines.



GF-coupling(standard series)

Catalog	fundamental dimensions							Bore		Max Torque (Nm)	Max Revolution n(rpm)	Moment of inertia (kg.cm ²)	G (kg)
	D	E	B	C	F	G	H	Pilot	Max				
GF-14	41	25	51	38	6.5	23.5	4	6	14	23	14000	0.27	0.222
GF-19	48	32	55	38	8.5	25.5	4	8	19	37	12000	0.64	0.388
GF-24	52	36	57	42	7.5	26.5	4	10	24	46	10000	0.92	0.497
GF-28	68	45	86	48	19	41	4	10	28	103	8000	3.45	1.166
GF-32	75	50	84	48	18	40	4	12	32	138	7100	5.03	1.424
GF-38	85	58	84	50	17	40	4	14	38	176	6300	9.59	1.991
GF-42	95	63	88	50	19	42	4	20	42	220	6000	13.06	2.387
GF-48	100	68	104	50	27	50	4	20	48	308	5600	18.15	3.198
GF-55	120	82	124	65	29.5	60	4	25	55	570	4800	49.44	5.617
GF-65	140	95	144	72	36	70	4	25	65	840	4000	106.34	8.635

Keyway dimensions conform to DIN 6885, JIS B 1310-1976, UNI 6604-1969, GB 1095-1979 standards.