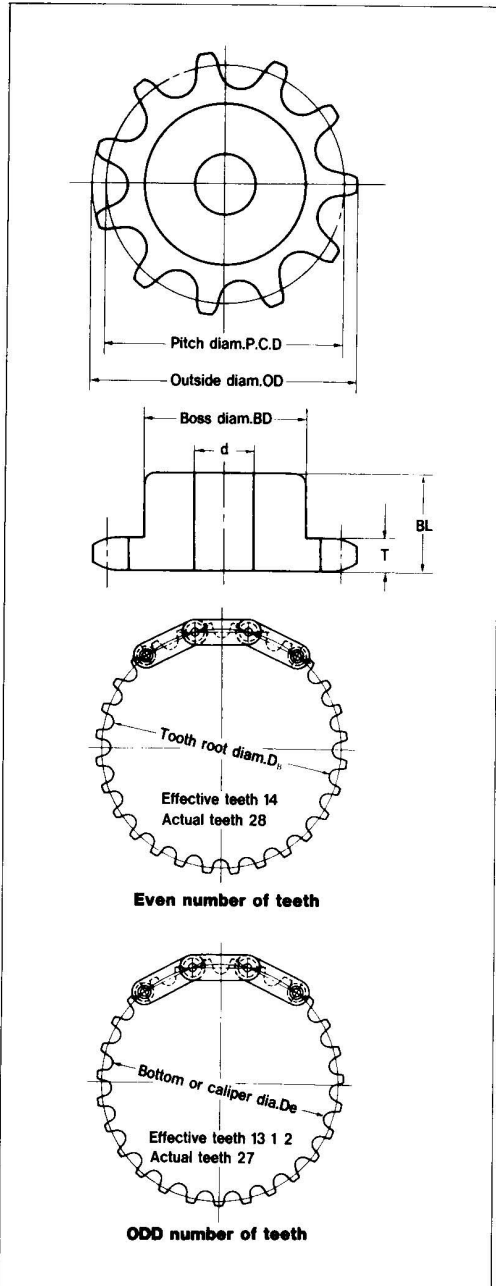


# DOUBLE-PITCH ROLLER CHAIN SPROCKET

## ●Double Pitch Roller Chain Sprockets

The number of teeth of the sprocket is determined so that the chain meshes with one of every two teeth of sprocket per turn of the sprocket. This number of teeth is termed "number of working teeth."

In case of odd number of teeth, each tooth of the sprocket meshes with the chain per two turns of the sprocket, thus extending service life of the sprocket.



NOTES: Bottom diameter for even number of teeth, Caliper diameter for odd number of teeth  
 SHADED ZONE is hardened teeth stock sprockets.

C2040 (T = 7.2) Chain pitch 25.40, Distance between inside links 7.95mm, roller diam. 7.95mm

No. of teeth	No. of working teeth	Pitch diam. P.C.D.	Pitch Diam. OD	Tooth root diam. ▲	Shaft hole diam d		Boss		Approx weight kg
					Original hole dia	Max	Diam. BD	Length BL	
15	7½	62.45	67	54.16					
17	8½	70.31	76	62.06					
18	9	74.26	80	66.31					
19	9½	78.23	84	70.01	12.7	30	50	30	0.59
20	10	82.20	88	74.25	12.7	35	56	40	0.90
21	10½	86.17	92	77.98	12.7	35	56	40	0.93
22	11	90.16	96	82.21	12.7	35	56	40	0.96
23	11½	94.15	100	85.98	12.7	35	56	40	0.99
24	12	98.14	104	90.19	12.7	35	56	40	1.02
25	12½	102.14	108	93.98	12.7	35	56	40	1.06
26	13	106.14	112	98.19	12.7	35	56	40	1.10
27	13½	110.14	116	102.00	12.7	35	56	40	1.13
28	14	114.15	120	106.20	12.7	35	56	40	1.17
29	14½	118.16	124	110.03	12.7	35	56	40	1.21

C2050 (T = 8.7) Chain pitch 31.75, Distance between inside links 9.53mm, roller diam. 10.16mm

15	7½	78.06	84	67.47					
17	8½	87.89	94	77.36					
18	9	92.83	100	82.67					
19	9½	97.78	105	87.29	12.7	42	65	40	1.29
20	10	102.75	110	92.59	19.1	46	70	45	1.56
21	10½	107.72	115	97.26	19.1	46	70	45	1.62
22	11	112.70	120	102.54	19.1	46	70	45	1.68
23	11½	117.68	125	107.25	19.1	46	70	45	1.74
24	12	122.67	130	112.51	19.1	46	70	45	1.80
25	12½	127.67	135	117.26	19.1	46	70	45	1.87
26	13	132.67	140	122.51	19.1	46	70	45	1.94
27	13½	137.67	145	127.28	19.1	46	70	45	2.01
28	14	142.68	150	132.52	19.1	46	70	45	2.09
29	14½	147.69	155	137.32	19.1	46	70	45	2.16

C2060 (T = 11.7) Chain pitch 38.10, Distance between inside links 12.70mm, roller diam. 11.91mm

15	7½	93.67	101	81.25					
17	8½	105.47	113	93.11					
18	9	111.40	119	99.49					
19	9½	117.34	126	105.03	19.1	46	70	40	1.76
20	10	123.30	132	111.39	19.1	52	80	45	2.31
21	10½	129.26	138	116.99	19.1	52	80	45	2.42
22	11	135.24	144	123.33	19.1	52	80	45	2.53
23	11½	141.22	150	128.98	19.1	52	80	45	2.65
24	12	147.21	156	135.30	19.1	52	80	45	2.78
25	12½	153.20	162	140.99	19.1	52	80	45	2.91
26	13	159.20	168	147.29	19.1	52	80	45	3.04
27	13½	165.21	174	153.02	19.1	52	80	45	3.18
28	14	171.22	181	159.31	19.1	57	85	45	3.50
29	14½	177.23	187	165.06	19.1	57	85	45	3.65

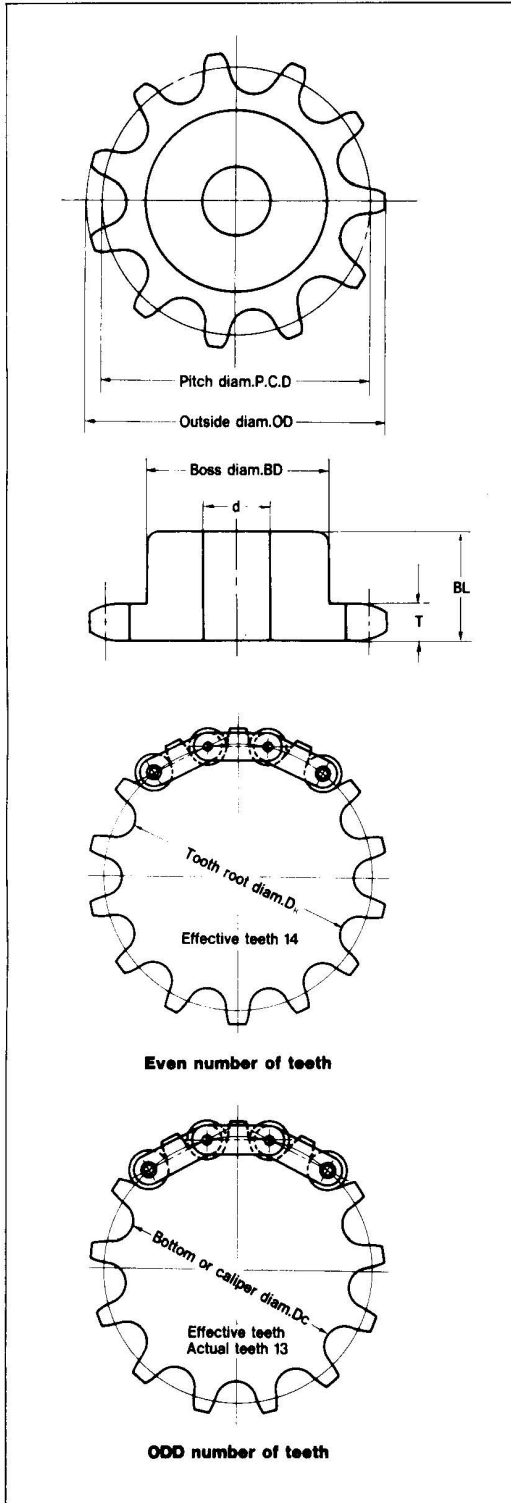
C2080 (T = 14.6) Chain pitch 50.80, Distance between inside links 15.88mm, roller diam. 15.88mm

15	7½	124.90	135	108.33					
17	8½	140.62	151	124.15					
18	9	148.53	159	132.65					
19	9½	156.45	167	140.04	25.4	60	90	50	3.77
20	10	164.39	176	148.51	25.4	60	90	60	4.46
21	10½	172.34	184	155.99	25.4	60	90	60	4.70
22	11	180.31	192	164.43	25	60	92	59	5.02
23	11½	188.29	200	171.97	25	60	92	59	5.28
24	12	196.28	208	180.40	25	60	92	59	5.56
25	12½	204.27	216	187.99	25	60	92	59	5.85
26	13	212.27	224	196.39	25	60	92	59	6.15
27	13½	220.28	233	204.03	25	60	92	59	6.46
28	14	228.30	241	212.42	25	60	92	59	6.78
29	14½	236.31	249	220.09	25	60	92	59	7.12

# DOUBLE-PITCH ROLLER CHAIN SPROCKET R TYPE

## ●R-type Roller Chain Sprockets

The R-type roller chain sprockets are exclusively designed for the double pitch roller chain.



NOTES: - Bottom diameter for even number of teeth, Caliper diameter for odd number of teeth.  
 - SHADED ZONE is hardened teeth stock sprockets.

C2042 (T = 7.2) Chain pitch 25.40, Distance between inside links 7.95mm, roller diam. 15.88mm

No. of working teeth	Pitch diam. P.C.D.	Pitch Diam. OD	Tooth root diam. ▲	Shaft hole diam d		Boss		Approx weight kg
				Original hole diam.	Max	Diam. BD	Length BL	
<b>10</b>	82.20	93	66.32	19.1	<b>35</b>	<b>56</b>	<b>40</b>	<b>0.85</b>
<b>11</b>	90.16	102	73.36	19.1	<b>35</b>	<b>56</b>	<b>40</b>	<b>0.91</b>
<b>12</b>	98.14	110	82.26	19.1	<b>35</b>	<b>56</b>	<b>40</b>	<b>0.97</b>
<b>13</b>	106.14	118	89.48	19.1	<b>35</b>	<b>56</b>	<b>40</b>	<b>1.05</b>
<b>14</b>	114.15	127	98.27	19.1	<b>35</b>	<b>56</b>	<b>40</b>	<b>1.12</b>
<b>15</b>	122.17	135	105.62	19.1	<b>42</b>	<b>65</b>	<b>40</b>	<b>1.43</b>
<b>16</b>	130.20	143	114.32	19.1	<b>42</b>	<b>65</b>	<b>40</b>	<b>1.52</b>
<b>18</b>	146.27	159	130.39	19.1	<b>42</b>	<b>65</b>	<b>40</b>	<b>1.72</b>
<b>20</b>	162.37	176	146.49	19.1	<b>46</b>	<b>70</b>	<b>45</b>	<b>2.21</b>
<b>24</b>	194.60	208	178.72	25	50	75	50	2.97
<b>25</b>	202.66	216	186.38	25	50	75	50	3.12
<b>26</b>	210.72	224	194.84	25	50	75	50	3.26
<b>28</b>	226.86	241	210.98	25	50	75	50	3.58
<b>30</b>	243.00	257	227.12	25	50	75	50	3.91

C2052 (T = 8.7) Chain pitch 31.75, Distance between inside links 9.53mm, roller diam. 19.05mm

<b>10</b>	102.75	117	83.70	25.4	46	70	45	1.49
<b>11</b>	112.70	127	92.50	25.4	<b>46</b>	<b>70</b>	<b>45</b>	<b>1.60</b>
<b>12</b>	112.67	138	103.62	25.4	<b>46</b>	<b>70</b>	<b>45</b>	<b>1.73</b>
<b>13</b>	132.67	148	112.65	25.4	<b>46</b>	<b>70</b>	<b>45</b>	<b>1.86</b>
<b>14</b>	142.68	158	123.63	25.4	<b>46</b>	<b>70</b>	<b>45</b>	<b>2.01</b>
<b>15</b>	152.71	168	132.82	25.4	<b>46</b>	<b>70</b>	<b>45</b>	<b>2.17</b>
<b>16</b>	162.74	179	143.69	25.4	<b>46</b>	<b>70</b>	<b>45</b>	<b>2.24</b>
<b>18</b>	182.84	199	163.79	25.4	<b>46</b>	<b>70</b>	<b>45</b>	<b>2.71</b>
<b>20</b>	202.96	220	183.91	25.4	50	75	50	3.45
<b>24</b>	243.25	260	224.20	25	57	85	60	5.23
<b>25</b>	253.32	270	233.78	25	57	85	60	5.50
<b>26</b>	263.40	281	244.35	25	57	85	60	5.78
<b>28</b>	283.57	301	264.52	25	57	85	60	6.37
<b>30</b>	303.75	321	284.70	25	57	85	60	7.00

C2062 (T = 11.7) Chain pitch 38.10, Distance between inside links 12.70mm, roller diam. 22.23mm

<b>10</b>	123.30	140	101.07	25.4	<b>52</b>	<b>80</b>	<b>45</b>	<b>2.23</b>
<b>11</b>	135.24	153	111.63	25.4	<b>52</b>	<b>80</b>	<b>45</b>	<b>2.45</b>
<b>12</b>	147.21	165	124.98	25.4	<b>52</b>	<b>80</b>	<b>45</b>	<b>2.70</b>
<b>13</b>	159.20	177	135.81	25.4	<b>52</b>	<b>80</b>	<b>45</b>	<b>2.97</b>
<b>14</b>	171.22	190	148.99	25.4	<b>52</b>	<b>80</b>	<b>45</b>	<b>3.25</b>
<b>15</b>	183.25	202	160.02	25	57	85	50	3.94
<b>16</b>	195.29	214	173.06	25	57	85	50	4.27
<b>18</b>	219.41	239	197.18	25	57	85	55	5.19
<b>20</b>	243.55	263	221.32	25	57	85	55	6.00
<b>24</b>	291.90	312	269.67	25	57	85	55	7.87
<b>25</b>	303.99	324	281.16	25	57	85	55	8.39
<b>26</b>	316.09	337	293.86	25	57	85	55	8.93
<b>28</b>	340.29	361	318.06	25	63	95	65	11.1
<b>30</b>	364.50	385	342.27	25	63	95	65	12.3

C2082 (T = 14.6) Chain pitch 50.80, Distance between inside links 15.88mm, roller diam. 28.58mm

<b>10</b>	164.39	187	135.81	25	63	95	65	4.90
<b>11</b>	180.31	204	149.90	25	63	95	65	5.48
<b>12</b>	196.28	220	167.70	25	63	95	65	6.02
<b>13</b>	212.27	237	182.14	25	63	95	65	6.61
<b>14</b>	228.30	253	199.72	25	63	95	65	7.25
<b>15</b>	244.33	269	214.42	25	63	95	65	7.93
<b>16</b>	260.39	286	231.81	25	63	95	65	8.66
<b>18</b>	292.55	319	263.97	25	72	105	75	11.5
<b>20</b>	324.74	351	296.16	25	72	105	75	13.3
<b>24</b>	389.19	416	360.61	25	72	105	75	17.5
<b>25</b>	405.32	433	375.94	25	72	105	75	18.6
<b>26</b>	421.45	449	392.87	25	72	105	75	19.8
<b>28</b>	453.72	481	425.14	25	78	115	85	23.9
<b>30</b>	485.99	514	457.41	25	78	115	85	26.7