

# RC

## RIDUTTORI AD INGRANAGGI HELICAL GEARBOXES STIRNRADGETRIEBE



ATTENZIONE: Disponibilità a richiesta  
ATTENTION: Availability on demand  
ACHTUNG: Verfügbarkeit auf Anfrage



### RC Riduttori ad ingranaggi

Una, due e tre coppie di riduzione

- 7 grandezze
- Potenze da 0.09 a 22 kW
- Rapporti da 1.5:1 a 3620:1
- Coppie da 20 a 2500 Nm



### RC Helical speed reducers

One, two and three reduction stages

- 7 sizes
- Powers from 0.09 to 22 kW
- Ratios from 1.5:1 to 3620:1
- Torques from 20 to 2500 Nm



### RC Stirnradgetriebe

Einz, zwei und drei Stufen

- 7 Größen
- Leistungen von 0.09 bis 22 kW
- Untersetzungen von 1.5:1 bis 3620:1
- Ausgangsdrehmoment von 20 bis 2500 Nm

# VARVEL - RC

RIDUTTORI SERIE RC  
GEARBOXES SERIES RC  
GETRIEBEBAUREIHE RC

La serie dei riduttori a ingranaggi tipo RC è costruita secondo le norme di progettazione ISO.

La struttura compatta della carcassa non subisce deformazioni significative sotto effetto della coppia di funzionamento e dei carichi esterni con positivi risultati sulle superfici di tenuta.

I riduttori serie RC sono costruiti con carcassa realizzata in forma B3 con piedi o in forma B5.

La lavorazione in unico piazzamento con linee di produzione CNC dell'ultima generazione e i più moderni processi di calcolo e controllo originano una superiore affidabilità di funzionamento, le massime coppie disponibili, elevati carichi radiali ed assiali e lunga vita operativa.

The Series RC helical gearboxes are manufactured to latest ISO engineering design specifications.

Significant strains caused by the effects of torque and external loads do not deflect the monolithic ribwork of the housing, which significantly improves the integrity of the sealed surfaces.

The Series RD helical gearboxes are manufactured in B3 base mounted configuration and in B5 flange mounting.

Single-setup machining on state-of-the-art CNC production lines, the most recent calculation techniques and process controls give superior operational reliability, maximum output torques, high overhung and thrust load capacity, and long working life-time.

Die Stirnradgetriebe die Baureihe RD besitzen ein einteiliges Gussgehäuse, welches die Aufnahme von 2 oder 3 Getriebestufen im gleichen Gehäuse ermöglicht. Die Entwicklung erfolgte nach den neuesten ISO-Vorschriften unter Berücksichtigung von Strukturanalysen zur Überprüfung der Verformungs-Beständigkeit.

Durch Drehmomente und einwirkende äußere Kräfte entstehen keine beachtenswerten Verspannungen des monolithischen Gehäuses mit Einfluss auf die Dichtflächen.

Die Gehäuse sind immer in Bauform B3 ausgeführt mit entsprechender Vorbereitung für Umrüstung in Bauform B5, wobei hier verschiedene Flansche zur Verfügung stehen.

Durch Zusammenfassung modernster Maschinen in CNC-Produktionslinien, durch fortschrittlichste Berechnungsverfahren und durch permanente Kontrolle der Produktion werden höchste Zuverlässigkeit, große Drehmomente, hohe Achsbelastbarkeit und Stoss-festigkeit bei langer Lebensdauer erreicht.

	SPECIFICHE GENERALI	GENERAL SPECIFICATIONS	ALLGEMEINE EIGENSCHAFTEN
Gamma Range Bereich	7 grandezze 40 rapporti in 1, 2 e 3 coppie 2500 Nm coppia uscita max	7 sizes 40 ratios in 1, 2 and 3 stages 2500 Nm max. output torque	7 Baugrößen 40 Übersetzungen 1, 2 u. 3-stufig 2500 Nm max. Abtriebsmoment
Dimensionamento Sizing Auslegung	Secondo ISO6336 / DIN3990. Vita media 15.000 ore con fattore di servizio SF1	According to ISO6336/DIN3990. 15,000 hrs average lifetime with service factor SF1	Laut ISO6336/DIN3990. 15.000 Stunden Lebensdauer für Verzahnung und Lagerung bei einem Betriebsfaktor SF1
Carcassa, Coperchi Housing, Covers Gehäuse, Flansche	Ghisa grigia G25	Grey cast iron G25	Grauguss G25
Parti dentate Toothed parts Verzahnung	Acciaio 20MnCr5 cmt / tmp. Evolvente sbarbato.	Steel 20MnCr5 case hardened. Tooth profile shaved	Stahl 20MnCr5 einsatzgehärtet. Zahnprofil geschliffen.
Alberi & Linguette Shafts & Keys Wellen	Acciaio 39NiCrMo3 Alberi k6 - Fori E8 Linguette secondo DIN6885 B1	Steel 39NiCrMo3 Shafts k6 - Bores E8 Keys according to DIN6885 B1	Stahl 39NiCrMo3 Wellen k6 – Bohrungen E8 Keile nach DIN6885 B1
Cuscinetti Bearings Lagerung	Sfere o rulli secondo grandezza e specifiche tecniche	Ball- or roller-types according to sizes and technical requirements	Kugel- oder Rollenlager entsprechend den technischen Vorschriften
Paraolio Oilseals Dichtungen	Tipo NB - nitril-butadiene con secondo labbro parapolvere secondo DIN 3760	Type NB - nitril-butadiene with additional anti-dust lip according to DIN 3760	Typ NB – Nitril-Butadien mit zusätzlicher Staublippe entsprechend DIN 3760
Lubrificante Lubricant Schmierung	Olio sintetico a lunga durata Gradazione ISO VG 320	Synthetic long-life oil Grade ISO VG 320	Synthetisches Getriebeöl ISO VG 320 als Langzeit-Füllung
Verniciatura a forno Baking painting Gehäuselackierung	Vernice a polveri epossidiche Colore standard RAL 6003	Epoxy powder paint Standard colour RAL 6003	Epoxydpuhverfarbe Standardfarbton RAL 6003

# VARVEL - RC

DESIGNAZIONE - FATTORI DI SERVIZIO - RENDIMENTI  
 DESIGNATION - SERVICE FACTORS - EFFICIENCY  
 BEZEICHNUNGEN - BETRIEBSFAKTOREN - WIRKUNGSGRAD

## DESIGNAZIONE DEL RIDUTTORE      GEARBOX DESIGNATION      GETRIEBEBEZEICHNUNG

**F RC 2 10 /B3 20 IEC71 /B14**

B5, B14 = Forma del motore - Motor format - Motorbauform  
 Grandezza del motore elettrico - Electric motor frame - Motorbaugröße  
 Rapporto di riduzione - Reduction ratio - Getriebeübersetzung  
 B3, B5 = Forma costruttiva del riduttore - Gearbox format - Bauform des Getriebes  
 Grandezza del riduttore - Gearbox size - Baugröße des Getriebes  
 1,2,3 = N.coppie - No of gear sets - Stufennummer  
 Tipo del riduttore - Gearbox type - Getriebetyp

M = Motoriduttore - Geared motor - Getriebemotor  
 F = Riduttore con flangia entrata IEC - Gearbox with input flange IEC - IEC-Eingangsfalansch  
 ... = Riduttore con albero entrata sporgente - Gearbox with input free shaft - Freie Eingangswelle

## DESIGNAZIONE DEL MOTORE      MOTOR DESIGNATION      MOTORENBEZEICHNUNG

**MT 0.37 kW 71B 4 B14 230/400/50 IP55 F X4**

Posizione della morsettiera  
 Terminal box position  
 Klemmkastenposition

Class F (std) = Classe isolamento  
 Insulation class  
 Isolationsklasse

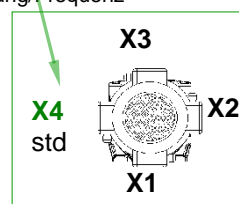
IP55 (std) = Grado di protezione  
 Protection class  
 Schutzart

Tensione/Frequenza - Voltage/frequency - Spannung/Frequenz  
 Forma costruttiva - Mounting format - Bauform

Numero poli - Number of poles - Polzahl  
 Grandezza IEC motore - IEC motor frame - IEC-Motorbaugröße

Potenza motore - Motor power - Motorleistung

MT = Motore trifase - Three-phase motor - Dreiphasenmotor  
 MM = Motore monofase - Single-phase motor - Einphasenmotor  
 MA = Motore autofrenante - Brake motor - Bremsmotor



### FATTORI DI SERVIZIO SERVICE FACTORS BETRIEBSFAKTOREN

F1 [h]	a	b	c	d	F2
3 - 4	0.8	1.0	1.5	6	1.0
8 - 10	1.0	1.2	1.8	60	1.2
10 - 24	1.4	1.6	2.0	120	1.4

FS = F1 x F2

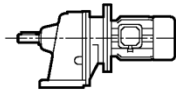
	Carico	Load	Belastung
a	Uniforme	Uniform	gleichmäßige
b	Variabile	Variable	variable
c	A urti	Shock	Stoß
d	Avviam./ora	Start/Stops	Schaltungen/St.

### RENDIMENTI EFFICIENCY WIRKUNGSGRAD

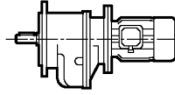
	η		
RC1	0.98		
RC2	0.96		
RC3	0.94		
	Coppie	Gear set	Stufig
RC1 -	Una	One	Einz-
RC2 -	Due	Two	Zwei-
RC3 -	Tre	Three	Drei-

# VARVEL - RC

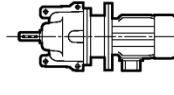
POSIZIONI DI MONTAGGIO - COPPIE MASSIME - CARICHI ESTERNI  
 STANDARD INSTALLATIONS - MAX. OUTPUT TORQUES - EXTERNAL LOADS  
 MAONTAGEPOSITION - AUSGANGSDREHMOMENT - AUSGANGSKRÄFTE



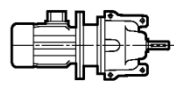
**B3**



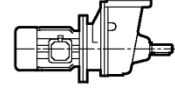
**B5**



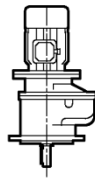
**B6**



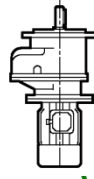
**B7**



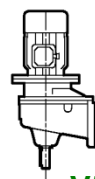
**B8**



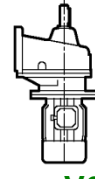
**V1**



**V3**



**V5**

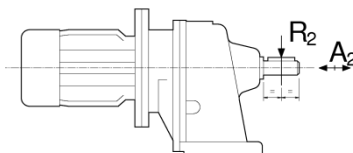


**V6**

COPPIE MAX. USCITA [ Nm ]	RC1	Nm	RC2	Nm	RC3	Nm
MAX. OUTPUT TORQUES [ Nm ]	105	10	205	37	305	37
MAX. AUSGANGSDREHMOMENT [ Nm ]	110	20	210	75	310	75
	120	42	220	150	320	150
	130	84	230	300	330	300
	140	230	240	600	340	600
	* 150	410	250	1250	350	1250
	* 160	830	260	2500	360	2500

\* = In esaurimento - Discontinued model - Obsolete wird

CARICHI USCITA R2 [ daN ]  
 OUTPUT LOADS [ daN ]  
 AUSGANGSKRÄFTE [ daN ]



$$A2 = 0.2 \times R2$$

\* = In esaurimento - Discontinued model - Obsolete wird

	rpm	RC105	RC110	RC120	RC130	RC140	* RC150	* RC160
Una coppia One stage Einstufig	1000	20	25	35	50	70	110	230
	500	30	40	55	80	110	170	350
	150	45	60	80	110	165	250	480
Due coppie Two Stages Zweistufige	rpm	RC205	RC210	RC220	RC230	RC240	RC250	RC260
	500	45	75	110	180	275	420	800
	300	60	90	125	210	320	475	950
	150	75	110	165	270	415	620	1200
	75	95	140	210	350	530	800	1600
30	110	150	250	420	620	930	1800	
Tre coppie Three stages Dreistufige	rpm	RC305	RC310	RC320	RC330	RC340	RC350	RC360
	25÷3	120	160	270	450	675	1000	1950

# VARVEL - RC

SELEZIONE RIDUTTORE - MRC  
SPEED REDUCER SELECTION - MRC  
GETRIEBEAUSWAHL - MRC

1400 [min<sup>-1</sup>]

0.09 kW (0.12 HP)					0.12 kW (0.17 HP)					0.25 kW (0.33 HP)							
Tipo	rpm	1:	Nm	SF	kg	Tipo	rpm	1:	Nm	SF	kg	Tipo	rpm	1:	Nm	SF	kg
MRC330	3.0	432	270	1.1	26	MRC205	69	20	16	2.3	10	MRC350	3.0	432	800	1.6	71
MRC330	3.5	388	230	1.3	26	MRC205	82	18	13	2.8	10	MRC350	3.5	388	640	2.0	71
MRC320	4.5	320	180	0.8	17	MRC205	90	16	12	3.0	10	MRC340	4.5	320	500	1.2	45
MRC320	5.0	284	160	0.9	17	MRC205	101	14	11	>3	10	MRC340	5.0	284	450	1.3	45
MRC320	5.5	254	150	1.0	17	MRC205	113	13	10	>3	10	MRC340	5.5	254	410	1.5	45
MRC320	6.5	208	125	1.2	17	MRC205	138	10	8.0	>3	10	MRC330	6.5	208	340	0.9	28
MRC320	8.0	174	100	1.5	17	MRC205	166	8.7	6.6	>3	10	MRC330	8.0	174	280	1.1	28
MRC310	9.5	147	85	0.9	15	MRC105	175	8.3	6.4	1.5	7	MRC330	9.5	147	235	1.3	28
MRC310	10.5	133	75	1.0	15	MRC205	196	7.3	5.6	>3	10	MRC330	10.5	133	215	1.4	28
MRC310	12.0	119	65	1.1	15	MRC205	210	6.8	5.2	>3	10	MRC330	12.0	119	190	1.6	28
MRC310	13.5	103	60	1.2	15	MRC205	230	6.3	4.8	>3	10	MRC330	13.5	103	165	1.8	28
MRC310	16	87	50	1.5	15	MRC205	240	6.0	4.6	>3	10	MRC330	16	87	140	2.0	28
MRC305	19	73	42	0.9	12	MRC205	268	5.4	4.1	>3	10	MRC320	19	73	120	1.2	19
MRC305	23	61	35	1.1	12	MRC205	324	4.5	3.4	>3	10	MRC320	23	61	100	1.5	19
MRC205	27	52	30	1.2	10	MRC205	388	3.7	2.8	>3	10	MRC220	27	52	85	1.7	18
MRC205	31	46	26	1.4	10	MRC105	415	3.5	2.7	>3	7	MRC220	31	46	75	2.0	18
MRC205	37	38	22	1.6	10	MRC205	460	3.1	2.4	>3	10	MRC210	37	38	65	1.2	13
MRC205	42	34	20	1.8	10	MRC205	540	2.7	2.0	>3	10	MRC210	42	34	55	1.4	13
MRC205	47	30	17	2.0	10	MRC205	630	2.3	1.7	>3	10	MRC210	47	30	49	1.5	13
MRC205	57	25	14	2.5	10	MRC105	965	1.5	1.2	>3	7	MRC210	57	25	40	1.8	13
MRC205	69	20	12	3.0	10							MRC210	69	20	33	2.2	13
MRC205	82	18	10	>3	10							MRC210	82	18	28	2.6	13
MRC205	90	16	9.2	>3	10	MRC340	3.0	432	540	1.1	44	MRC205	90	16	25	1.4	12
MRC205	101	14	8.2	>3	10	MRC340	3.5	388	460	1.3	44	MRC205	101	14	23	1.6	12
MRC205	113	13	7.3	>3	10	MRC340	4.5	320	360	1.7	44	MRC205	113	13	20	1.8	12
MRC205	138	10	6.0	>3	10	MRC340	5.0	284	320	1.8	44	MRC205	138	10	17	2.2	12
MRC205	166	8.7	5.0	>3	10	MRC340	5.5	254	295	2.0	44	MRC205	166	8.7	14	2.6	12
MRC105	175	8.3	4.7	2.1	6	MRC330	6.5	208	250	1.2	27	MRC110	175	8.3	13	1.5	11
MRC205	196	7.3	4.2	>3	10	MRC330	8.0	174	200	1.5	27	MRC205	196	7.3	12	>3	12
MRC205	210	6.8	3.9	>3	10	MRC330	9.5	147	170	1.7	27	MRC205	210	6.8	11	>3	12
MRC205	230	6.3	3.6	>3	10	MRC330	10.5	133	155	1.9	27	MRC205	230	6.3	10	>3	12
MRC205	240	6.0	3.4	>3	10	MRC320	12.0	119	135	1.1	18	MRC205	240	6.0	9.5	>3	12
MRC205	268	5.4	3.1	>3	10	MRC320	13.5	103	120	1.3	18	MRC205	268	5.4	8.5	>3	12
MRC205	324	4.5	2.5	>3	10	MRC320	16	87	100	1.5	18	MRC205	324	4.5	7.1	>3	12
MRC205	388	3.7	2.1	>3	10	MRC310	19	73	85	0.9	16	MRC205	388	3.7	5.9	>3	12
MRC105	415	3.5	2.0	>3	6	MRC310	23	61	70	1.1	16	MRC105	415	3.5	5.6	1.8	10
MRC205	460	3.1	1.8	>3	10	MRC210	27	52	60	1.2	12	MRC205	460	3.1	5.0	>3	12
MRC205	540	2.7	1.5	>3	10	MRC210	31	46	55	1.4	12	MRC205	540	2.7	4.2	>3	12
MRC205	630	2.3	1.3	>3	10	MRC210	37	38	45	1.6	12	MRC205	630	2.3	3.6	>3	12
MRC105	965	1.5	0.9	>3	6	MRC210	42	34	39	1.9	12	MRC105	965	1.5	2.4	>3	10
						MRC210	47	30	35	1.0	11						
						MRC205	57	25	29	1.2	11						
						MRC205	69	20	24	1.5	11	MRC350	3.0	432	1110	1.1	71
						MRC205	82	18	20	1.8	11	MRC350	3.5	388	950	1.3	71
						MRC205	90	16	18	2.0	11	MRC350	4.5	320	740	1.7	71
						MRC205	101	14	16	2.3	11	MRC350	5.0	284	665	1.9	71
						MRC205	113	13	15	2.5	11	MRC350	5.5	254	505	2.0	71
						MRC205	138	10	12	3.0	11	MRC340	6.5	208	510	1.2	45
						MRC205	166	8.7	10	>3	11	MRC340	8.0	174	415	1.4	45
						MRC105	175	8.3	10	1.0	8	MRC330	9.5	147	350	0.9	29
						MRC205	196	7.3	8.4	2.0	11	MRC330	10.5	133	315	1.0	29
						MRC205	210	6.8	7.8	>3	11	MRC330	12.0	119	275	1.1	29
						MRC205	230	6.3	7.2	>3	11	MRC330	13.5	103	245	1.2	29
						MRC205	240	6.0	6.9	>3	11	MRC330	16	87	210	1.4	29
						MRC205	268	5.4	6.2	>3	11	MRC330	19	73	175	1.7	29
						MRC205	324	4.5	5.1	>3	11	MRC330	23	61	145	2.1	29
						MRC205	388	3.7	4.3	>3	11	MRC220	27	52	125	1.2	18
						MRC105	415	3.5	4.1	2.5	8	MRC220	31	46	110	1.4	18
						MRC205	460	3.1	3.6	>3	11	MRC220	37	38	90	1.6	18
						MRC205	540	2.7	3.1	>3	11	MRC220	42	34	80	1.9	18
						MRC205	630	2.3	2.6	>3	11	MRC210	47	30	75	1.0	13
						MRC105	965	1.5	1.7	>3	8	MRC210	57	25	60	1.2	13

1400 [min<sup>-1</sup>]

# VARVEL - RC

SELEZIONE RIDUTTORE - MRC  
SPEED REDUCER SELECTION - MRC  
GETRIEBEAUSWAHL - MRC

0.37 kW (0.5 HP)						0.75 kW (1 HP)						1.1 kW (1.5 HP)					
Tipo	rpm	1:	Nm	SF	kg	Tipo	rpm	1:	Nm	SF	kg	Tipo	rpm	1:	Nm	SF	kg
MRC210	69	20	50	1.5	13	MRC360	3.0	432	2245	1.0	153	MRC230	82	18	125	2.4	34
MRC210	82	18	41	1.8	13	MRC360	3.5	388	1925	1.2	153	MRC220	90	16	115	1.3	24
MRC210	90	16	38	2.0	13	MRC360	4.5	320	1500	1.7	153	MRC220	101	14	100	1.5	24
MRC210	101	14	34	2.2	13	MRC360	5.0	284	1350	1.9	153	MRC220	113	13	90	1.7	24
MRC210	113	13	30	2.5	13	MRC360	5.5	254	1225	2.0	153	MRC220	138	10	75	2.0	24
MRC210	138	10	25	3.0	13	MRC350	6.5	208	1035	1.2	75	MRC220	166	8.8	60	2.5	24
MRC205	166	8.7	20	1.8	12	MRC350	8.0	174	840	1.5	75	MRC130	175	8.3	60	1.4	34
MRC110	175	8.3	20	1.0	12	MRC350	9.5	147	710	1.8	75	MRC220	196	7.3	50	2.9	34
MRC205	196	7.3	17	2.1	12	MRC350	10.5	133	640	1.9	75	MRC220	210	6.8	48	>3	34
MRC205	210	6.8	16	2.3	12	MRC340	12.0	119	560	1.1	49	MRC220	230	6.3	44	>3	34
MRC205	230	6.3	15	2.5	12	MRC340	13.5	103	500	1.2	49	MRC220	240	6.0	42	>3	34
MRC205	240	6.0	14	2.6	12	MRC340	16	87	420	1.4	49	MRC220	268	5.4	38	>3	34
MRC205	268	5.4	13	2.9	12	MRC340	19	73	355	1.7	49	MRC220	324	4.5	31	>3	34
MRC205	324	4.5	11	>3	12	MRC340	23	61	295	2.1	49	MRC220	388	3.7	26	>3	34
MRC205	388	3.7	8.7	>3	12	MRC230	27	52	255	1.2	33	MRC120	415	3.5	25	1.7	26
MRC105	415	3.5	8.4	1.2	10	MRC230	31	46	220	1.4	33	MRC220	460	3.1	22	>3	34
MRC205	460	3.1	7.4	>3	12	MRC230	37	38	185	1.6	33	MRC220	540	2.7	19	>3	34
MRC205	540	2.7	6.3	>3	12	MRC230	42	34	165	1.8	33	MRC220	630	2.3	16	>3	34
MRC205	630	2.3	5.4	>3	12	MRC220	47	30	145	1.0	22	MRC120	965	1.5	11	>3	26
MRC105	965	1.5	3.6	2.8	10	MRC220	57	25	120	1.2	22	1.5 kW (2 HP)					
0.55 kW (0.75 HP)						MRC220	69	20	100	1.5	22	MRC360	6.5	208	2070	1.2	160
MRC360	3.0	432	1650	1.5	152	MRC220	82	18	85	1.8	22	MRC360	8.0	174	1685	1.5	160
MRC360	3.5	388	1410	1.8	152	MRC220	90	16	75	2.0	22	MRC360	9.5	147	1420	1.8	160
MRC350	4.5	320	1100	1.1	74	MRC220	101	14	70	2.2	22	MRC360	10.5	133	1285	1.9	160
MRC350	5.0	284	990	1.3	74	MRC220	113	13	60	2.5	22	MRC360	12.0	119	1125	1.1	80
MRC350	5.5	254	900	1.4	74	MRC210	138	10	50	3.0	22	MRC350	13.5	103	1000	1.3	80
MRC350	6.5	208	760	1.6	74	MRC120	166	8.7	41	1.8	17	MRC350	16	87	840	1.5	80
MRC350	8.0	174	620	2.0	74	MRC210	175	8.3	40	1.0	22	MRC350	19	73	700	1.8	80
MRC340	9.5	147	520	1.2	48	MRC210	196	7.3	35	2.1	17	MRC350	23	61	585	2.1	80
MRC340	10.5	133	470	1.3	48	MRC210	210	7.3	33	2.3	17	MRC240	27	52	510	1.2	48
MRC340	12.0	119	410	1.5	48	MRC210	230	6.3	30	2.5	17	MRC240	31	46	445	1.4	48
MRC340	13.5	103	365	1.6	48	MRC210	240	6.0	26	2.9	17	MRC240	37	38	370	1.6	48
MRC340	16	87	310	1.9	48	MRC210	268	5.4	26	>3	17	MRC240	42	34	330	1.8	48
MRC330	19	73	260	1.2	31	MRC210	324	4.5	21	>3	17	MRC230	47	30	300	1.0	38
MRC330	23	61	215	1.4	31	MRC210	388	3.7	18	>3	17	MRC230	57	25	240	1.2	38
MRC230	27	52	190	1.6	30	MRC110	415	3.5	17	1.2	17	MRC230	69	20	200	1.5	38
MRC230	31	46	165	1.8	30	MRC210	460	3.1	15	>3	17	MRC230	82	18	170	1.8	38
MRC220	37	38	135	1.1	21	MRC210	540	2.7	13	>3	17	MRC230	90	16	155	2.0	38
MRC220	42	34	120	1.2	21	MRC210	630	2.3	11	>3	17	MRC230	101	14	135	2.2	38
MRC220	47	30	110	1.4	21	MRC110	965	1.5	7.3	2.7	17	MRC230	113	13	120	2.5	38
MRC220	57	25	90	1.7	21	1.1 kW (1.5 HP)						MRC230	138	10	100	3.0	38
MRC220	69	20	75	2.0	21	MRC360	4.5	320	2195	1.1	157	MRC220	166	8.7	85	1.8	27
MRC220	82	18	60	2.5	21	MRC360	5.0	284	1975	1.3	157	MRC130	175	8.3	80	1.0	37
MRC210	90	16	55	1.3	16	MRC360	5.5	254	1795	1.4	157	MRC220	196	7.3	70	2.1	27
MRC210	101	14	50	1.5	16	MRC360	6.5	208	1520	1.6	157	MRC220	210	6.8	65	2.3	27
MRC210	113	13	45	1.7	16	MRC360	8.0	174	1235	2.0	157	MRC220	230	6.3	60	2.5	27
MRC210	138	10	36	2.1	16	MRC350	9.5	147	1040	1.2	77	MRC220	240	6.0	55	2.6	27
MRC210	166	8.7	30	2.5	16	MRC350	10.5	133	940	1.3	77	MRC220	268	5.4	50	3.0	27
MRC120	175	8.3	29	1.4	21	MRC350	12.0	119	825	1.5	77	MRC220	324	4.5	42	>3	27
MRC210	196	7.3	26	2.9	16	MRC350	13.5	103	730	1.7	77	MRC220	388	3.7	35	>3	27
MRC210	210	6.8	24	>3	16	MRC350	16	87	620	2.0	77	MRC120	415	3.5	34	1.2	22
MRC210	230	6.3	22	>3	16	MRC340	19	73	520	1.2	51	MRC220	460	3.1	30	>3	27
MRC210	240	6.0	21	>3	16	MRC340	23	61	430	1.4	51	MRC220	540	2.7	25	>3	27
MRC210	268	5.4	19	>3	16	MRC240	27	52	375	1.6	44	MRC220	630	2.3	22	>3	27
MRC210	324	4.5	16	>3	16	MRC240	31	46	325	1.8	44	MRC120	965	1.5	15	2.9	22
MRC210	388	3.7	13	>3	16	MRC230	37	38	275	1.1	34	2.2 kW (3 HP)					
MRC110	415	3.5	12	1.6	16	MRC230	42	34	240	1.2	34	MRC360	9.5	147	2080	1.2	164
MRC210	460	3.1	11	>3	16	MRC230	47	30	215	1.4	34	MRC360	10.5	133	1880	1.3	164
MRC210	540	2.7	9.3	>3	16	MRC230	57	25	180	1.7	34	MRC360	12.0	119	1650	1.5	164
MRC210	630	2.3	8.0	>3	16	MRC230	69	20	145	2.0	34						
MRC110	965	1.5	5.3	>3	16												



# VARVEL - RC

SELEZIONE RIDUTTORE - MRC  
 SPEED REDUCER SELECTION - MRC  
 GETRIEBEAUSWAHL - MRC

1400 [min<sup>-1</sup>]

2.2 kW (3 HP)					3 kW (4 HP)					5.5 kW (7.5 HP)				
Tipo	rpm	1:	Nm	SF kg	Tipo	rpm	1:	Nm	SF kg	Tipo	rpm	1:	Nm	SF kg
MRC360	13.5	103	1465	1.7 164	MRC230	630	2.3	45	>3 46	MRC240	630	2.3	80	>3 78
MRC360	16	87	1235	2.0 164	MRC130	965	1.5	30	2.9 44	MRC140	965	1.5	55	>3 92
MRC350	19	73	1040	1.2 86						7.5 kW (10 HP)				
MRC350	23	61	860	1.5 86						MRC260	27	52	2500	1.0 209
MRC250	27	52	750	1.7 82	4 kW (5.5 HP)					MRC260	31	46	2220	1.1 209
MRC250	31	46	650	1.9 82	MRC360	19	73	1890	1.3 185	MRC260	37	38	1860	1.3 209
MRC240	37	38	545	1.1 54	MRC360	23	61	1560	1.6 185	MRC260	42	34	1640	1.5 209
MRC240	42	34	480	1.2 54	MRC250	27	52	1350	0.9 114	MRC260	47	30	1465	1.7 209
MRC240	47	30	430	1.4 54	MRC250	31	46	1185	1.1 114	MRC260	57	25	1210	2.1 209
MRC240	57	25	355	1.7 54	MRC250	37	38	990	1.3 114	MRC250	69	20	1000	1.3 133
MRC240	69	20	295	2.0 54	MRC250	42	34	875	1.4 114	MRC250	82	18	840	1.5 133
MRC240	82	18	245	2.4 54	MRC250	47	30	780	1.6 114	MRC250	90	16	765	1.6 133
MRC230	90	16	225	1.3 44	MRC250	57	25	645	1.9 114	MRC250	101	14	680	1.8 133
MRC230	101	14	200	1.5 44	MRC240	69	20	530	1.1 69	MRC250	113	13	610	2.1 133
MRC230	113	13	180	1.7 44	MRC240	82	18	450	1.4 69	MRC250	138	10	500	2.5 133
MRC230	138	10	150	2.0 44	MRC240	90	16	410	1.5 69	MRC250	166	8.7	415	3.0 133
MRC230	166	8.7	125	2.5 44	MRC240	101	14	365	1.7 69	MRC150	175	8.3	400	1.0 111
MRC140	175	8.3	120	1.9 50	MRC240	113	13	325	1.8 69	MRC250	196	7.3	350	>3 133
MRC230	196	7.3	105	2.9 44	MRC240	138	10	265	2.3 69	MRC250	210	6.8	330	>3 133
MRC230	210	6.8	95	>3 44	MRC240	166	8.7	220	2.7 69	MRC250	230	6.3	300	>3 133
MRC230	230	6.3	90	>3 44	MRC140	175	8.3	215	1.1 72	MRC250	240	6.0	290	>3 133
MRC230	240	6.0	85	>3 44	MRC240	196	7.3	190	>3 69	MRC240	268	5.4	260	2.3 88
MRC230	268	5.4	75	>3 44	MRC240	210	6.8	175	>3 69	MRC240	324	4.5	215	2.8 88
MRC230	324	4.5	65	>3 44	MRC240	230	6.3	160	>3 69	MRC240	388	3.7	180	>3 88
MRC230	388	3.7	55	>3 44	MRC240	240	6.0	155	>3 69	MRC240	415	3.5	170	2.4 111
MRC130	415	3.5	50	1.7 41	MRC230	268	5.4	135	>3 59	MRC150	460	3.1	150	>3 88
MRC230	460	3.1	45	>3 44	MRC230	324	4.5	115	>3 59	MRC240	540	2.7	130	>3 88
MRC230	540	2.7	40	>3 44	MRC230	388	3.7	95	>3 59	MRC240	630	2.3	110	>3 88
MRC230	630	2.3	35	>3 44	MRC140	415	3.1	90	2.5 72	MRC140	965	1.5	75	>3 103
MRC130	965	1.5	25	>3 41	MRC230	460	3.1	80	>3 59	11 kW (15 HP)				
3 kW (4 HP)					MRC230	540	2.7	70	>3 59	MRC260	47	30	2150	1.2 219
MRC360	12.0	119	2250	1.1 167	MRC230	630	2.3	60	>3 59	MRC260	57	25	1770	1.4 219
MRC360	13.5	103	2000	1.3 167	MRC140	965	1.5	40	>3 72	MRC260	69	20	1460	1.7 219
MRC360	16	87	1685	1.5 167	5.5 kW (7.5 HP)					MRC260	82	18	1230	2.0 219
MRC350	19	73	1415	0.9 101	MRC360	19	73	2500	1.0 205	MRC260	90	16	1120	2.2 219
MRC350	23	61	1170	1.1 101	MRC360	23	61	2145	1.2 205	MRC260	101	14	1000	2.3 219
MRC250	27	52	1020	1.2 88	MRC260	27	52	1870	1.3 199	MRC260	113	13	895	2.8 219
MRC250	31	46	890	1.4 88	MRC260	31	46	1630	1.5 199	MRC260	138	10	730	3.0 219
MRC250	37	38	745	1.7 88	MRC260	37	38	1365	1.8 199	MRC250	166	8.7	610	2.0 148
MRC250	42	34	655	1.9 88	MRC260	42	34	1200	2.1 199	MRC160	175	8.3	580	1.4 185
MRC240	47	30	590	1.0 56	MRC250	47	30	1075	1.2 123	MRC250	196	7.3	515	2.4 148
MRC240	57	25	485	1.2 56	MRC250	57	25	885	1.4 123	MRC250	210	6.8	480	2.6 148
MRC240	69	20	400	1.5 56	MRC250	69	20	730	1.7 123	MRC250	230	6.3	440	2.8 148
MRC240	82	18	335	1.8 56	MRC250	82	18	615	2.0 123	MRC250	240	6.0	420	3.0 148
MRC240	90	16	305	2.0 56	MRC250	90	16	560	2.2 123	MRC250	268	5.4	380	>2 148
MRC240	101	14	275	2.2 56	MRC250	101	14	500	2.5 123	MRC250	324	4.5	310	>2 148
MRC240	113	13	245	2.5 56	MRC250	113	13	450	2.8 123	MRC250	388	3.7	260	>2 148
MRC240	138	10	200	3.0 56	MRC250	138	10	365	>3 123	MRC150	415	3.5	250	1.6 141
MRC230	166	8.7	165	1.8 46	MRC240	166	8.7	305	1.9 78	MRC250	460	3.1	220	>2 148
MRC140	175	8.3	160	1.4 53	MRC150	175	8.3	295	1.4 110	MRC250	540	2.7	190	>2 148
MRC230	196	7.3	140	2.1 46	MRC240	196	7.3	260	2.3 78	MRC250	630	2.3	160	>2 148
MRC230	210	6.8	130	2.3 46	MRC240	230	6.3	220	2.7 78	MRC150	965	1.5	110	>2 141
MRC230	230	6.3	120	2.5 46	MRC240	240	6.0	210	2.8 78	15 kW (20 HP)				
MRC230	240	6.0	115	2.6 46	MRC240	268	5.4	190	>3 78	MRC260	69	20	2000	1.3 240
MRC230	268	5.4	105	2.9 46	MRC240	324	4.5	155	>3 78	MRC260	82	18	1680	1.5 240
MRC230	324	4.5	85	>3 46	MRC240	388	3.7	130	>3 78	MRC260	90	16	1530	1.6 240
MRC230	388	3.7	70	>3 46	MRC150	415	3.5	125	>3 110	MRC260	101	14	1360	1.8 240
MRC130	415	3.5	70	1.2 44	MRC240	460	3.1	110	>3 78	MRC260	113	13	1220	2.1 240
MRC230	460	3.1	60	>3 46	MRC240	540	2.7	95	>3 78					
MRC230	540	2.7	50	>3 46										

1400 [min<sup>-1</sup>]

# VARVEL - RC

SELEZIONE RIDUTTORE - MRC  
SPEED REDUCER SELECTION - MRC  
GETRIEBEAUSWAHL - MRC

15 kW (20 HP)					15 kW (20 HP)					18.5 kW (25 HP)				
Tipo	rpm	1:	Nm	SF kg	Tipo	rpm	1:	Nm	SF kg	Tipo	rpm	1:	Nm	SF kg
MRC260	138	10	1000	2.5 240	MRC250	630	2.3	220	>3 178	MRC260	460	3.1	360	>3 260
MRC260	166	8.7	830	3.0 240	MRC150	965	1.5	145	>3 171	MRC260	540	2.7	310	>3 260
MRC160	175	8.3	800	1.0 215						MRC260	630	2.3	265	>3 260
MRC260	196	7.3	700	>3 240						MRC160	965	1.5	180	>3 225
MRC260	210	6.8	660	>3 240	18.5 kW (25 HP)									
MRC260	230	6.3	600	>3 240	MRC260	166	8.8	1000	2.5 260					
MRC260	240	6.0	575	>3 240	MRC260	196	7.3	850	2.9 260	22 kW (30 HP)				
MRC250	268	5.4	515	>3 178	MRC260	210	6.8	790	>3 260	MRC260	268	5.4	755	>3 300
MRC250	324	4.5	425	>3 178	MRC260	230	6.3	725	>3 260	MRC260	324	4.5	625	>3 300
MRC250	388	3.7	355	>3 178	MRC260	240	6.0	695	>3 260	MRC260	388	3.7	520	>3 300
MRC160	415	3.5	340	2.5 215	MRC260	268	5.4	620	>3 260	MRC260	460	3.1	440	>3 300
MRC250	460	3.1	300	>3 178	MRC260	324	4.5	515	>3 260	MRC260	540	2.7	375	>3 300
MRC250	540	2.7	255	>3 178	MRC260	388	3.7	430	>3 260	MRC260	630	2.3	320	>3 300
					MRC160	415	3.5	420	2.0 225	MRC160	965	1.5	215	>3 275

## GRANDEZZA MOTORI IEC - MOTOR FRAMES IEC - MOTORGRÖÖE IEC

Tipo, Type, Typ	IEC (kW) 4p i=	56 0.09	63 0.13-0.18	71 0.25-0.37	80 0.55-0.75	90 1.1-1.5	100 2.2-3.0	112 4.0	132 5.5-7.5	160 11.15	180 18.5-22
FRC105	1.5-3.5	☼	★	★							
	8.3	☼	★								
FRC205	2.3-16	☼	★	★							
	18-52	☼	★								
FRC305	61-133	☼	★	★							
	147-432	☼	★								
FRC110	1.5-3.5		★	★	☼★						
	8.3		★	★	☼★						
FRC210	2.3-16		★	★	☼★						
	18-52		★	★							
FRC310	61-133	☼	★	★							
	147-432	☼	★	★							
FRC120	1.5-3.5		★	★	★	★					
	8.3		★	★	★	★					
FRC220	2.3-16		★	★	★	★					
	18-52		★	★	★	★					
FRC320	61-133		★	★	☼★						
	147-432		★	★							
FRC130	1.5-3.5			★	★	★	★	★			
	8.3			★	★	★	★	★			
FRC230	2.3-16			★	★	★	★	★			
	18-52			★	★	★	★	★			
FRC330	61-133		★	★	★	★					
	147-432		★	★	★	★					
FRC140	1.5-3.5			★	★	★	★	★	★		
	8.3			★	★	★	★	★	★		
FRC240	2.3-16			★	★	★	★	★	★		
	18-52			★	★	★	★	★	★		
FRC340	61-133			★	★	★	★	★	★		
	147-432			★	★	★	★	★	★		
*FRC150	1.5-3.5						★	★	★	★	
	8.3						★	★	★	★	
FRC250	2.3-16						★	★	★	★	
	18-52						★	★	★	★	
FRC350	61-133			★	★	★	★	★	★		
	147-432			★	★	★	★	★	★		
*FRC160	1.5-3.5									★	★
	8.3									★	★
FRC260	2.3-16									★	★
	18-52									★	★
FRC360	61-133						★	★	★	★	
	147-432						★	★	★	★	

\* = In esaurimento - Discontinued model - Obsolete wird / ★B5 - ☼B14



# VARVEL - RC

SELEZIONE RIDUTTORE - FRC & RC  
 SPEED REDUCER SELECTION - FRC & RC  
 GETRIEBEAUSWAHL - FRC & RC

1400 [min<sup>-1</sup>]

## i = 8.3, 3.5, 1.5 (175, 415, 965 rpm)

i = rpm	8.33		3.5		1.5		FRC	Oil liters		
	175		415		965			kg	l <sub>1</sub>	l <sub>2</sub>
kW / 1440 rpm										
105	0.18		0.37		0.37		3.0	0.05	0.06	0.05
110	0.37		0.75		0.75		5.5	0.10	0.13	0.10
120	0.75		1.5		1.5		9.5	0.17	0.25	0.17
130	1.5		3.0		4.0		18	0.30	0.50	0.30
140	4.0		5.5		7.5		27	0.60	1.15	0.60
* 150	7.5		11		15		50	1.50	2.25	1.50
* 160	15		18.5		22		98	3.00	4.40	3.00

\* = In esaurimento - Discontinued model - Obsolete wird

## i = 52 ÷ 2.3 (27 ÷ 630 rpm)

i = rpm	52		46		38		34		30		25		20		18		16		14		13		10		8.7		7.3		6.8		6.3		6.0		5.4		4.5		3.7		3.1		2.7		2.3		FRC	Oil liters		
	27	31	37	42	47	57	69	82	90	101	113	138	166	196	210	230	240	268	324	388	460	540	630	kg	l <sub>1</sub>	l <sub>2</sub>	l <sub>3</sub>																							
kW / 1440 rpm																																																		
205	0.09	0.12	0.18	0.18	0.25		0.37		0.37		4.5		0.13	0.15	0.15																																			
210	0.18	0.25	0.37	0.37	0.55		0.75		0.75		5.5		0.17	0.25	0.17																																			
220	0.37	0.55	0.75	0.75	1.1		1.5		1.5		10.5		0.50	0.60	0.50																																			
230	0.75	1.1	1.5	1.5	2.2		3.0		4.0		19		0.70	1.15	0.80																																			
240	1.5	2.2	3.0	4.0	4.0		5.5		7.5		30		1.15	2.25	2.00																																			
250	4.0	4.0	5.5	7.5	7.5		11		15		67		2.25	4.40	4.00																																			
260	7.5	7.5	11	15	15		18.5		22		132		6.00	8.80	8.00																																			

## i = 432 ÷ 61 (3 ÷ 23 rpm)

i = rpm	432		388		320		284		254		208		174		147		133		119		103		87		73		81		FRC	Oil liters		
	3.0	3.5	4.5	5.0	5.5	6.5	8.0	9.5	10.5	12.0	13.5	16	19	23	kg	l <sub>1</sub>	l <sub>2</sub>	l <sub>3</sub>														
kW / 1440 rpm																																
305	0.0014		0.02		0.03		0.04		0.06		0.09		6.0		0.17	0.30	0.30															
310	0.003		0.04		0.06		0.09		0.12		0.17		8.0		0.25	0.50	0.35															
320	0.06		0.09		0.12		0.12		0.18		0.25		12.5		0.60	0.80	0.60															
330	0.09		0.12		0.25		0.37		0.37		0.55		21		1.15	1.50	1.15															
340	0.18		0.25		0.37		0.55		0.75		1.1		36		1.50	3.00	2.25															
350	0.37		0.55		0.75		1.1		1.5		3.0		59		3.75	6.00	5.00															
360	0.75		1.1		1.5		2.2		3.0		5.5		146		8.00	10	8.80															

Qtà olio / Oil qty / Ölmenge: l<sub>1</sub> - B3, B5, B6, B7, B8

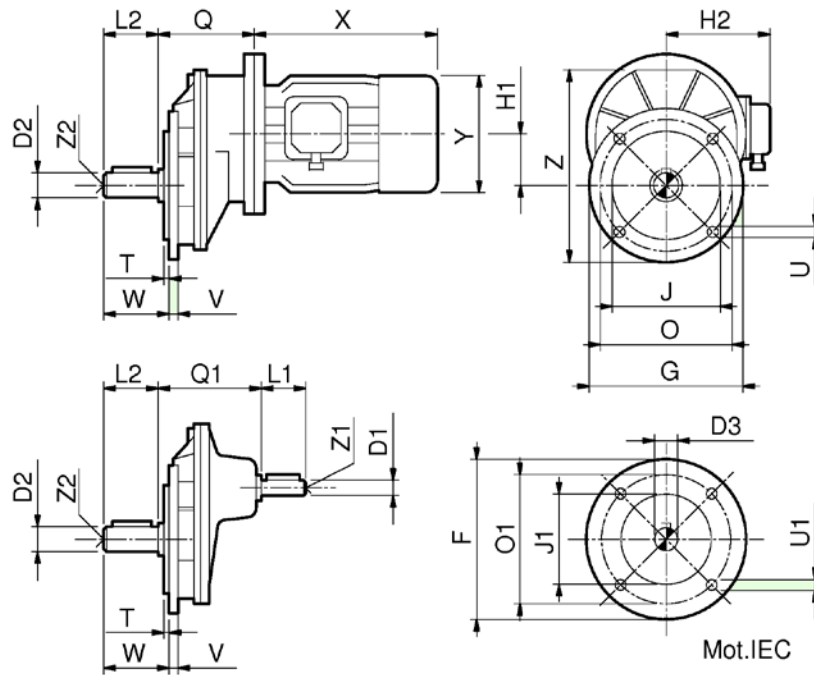
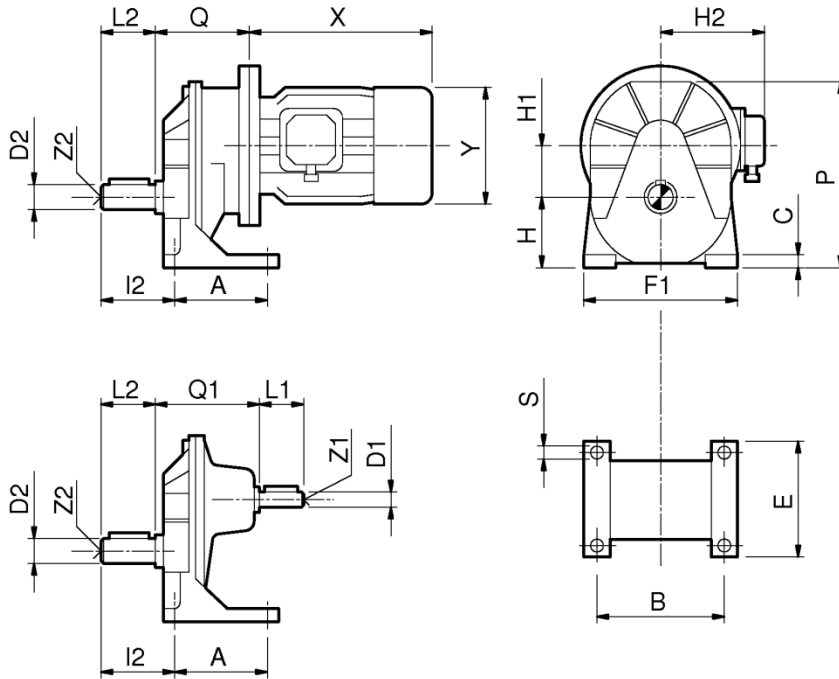
l<sub>2</sub> - V1, V5

l<sub>3</sub> - V3, V6

1 COPPIA  
 1 STAGE  
 1 STUFIG

# VARVEL - RC

DIMENSIONI DI INGOMBRO  
 OVERALL DIMENSIONS  
 ABMESSUNGEN



# VARVEL - RC

DIMENSIONI DI INGOMBRO  
OVERALL DIMENSIONS  
ABMESSUNGEN

MRC	105	110	120	130	140	*150	*160
A	65	80	95	115	140	170	210
B	90	110	150	170	205	250	310
C	10	11	12	14	20	30	35
D <sub>1 K6</sub>	11	11	14	19	24	28	38
D <sub>2 K6</sub>	14	19	24	28	32	42	50
E	85	100	115	140	170	205	260
F <sub>1</sub>	110	130	180	200	250	310	400
G	140	160	200	250	300	350	450
H	50	60	75	95	115	155	200
H <sub>1</sub>	37.4	45	60	75	90	120	150
I <sub>2</sub>	40	53	62	76	100	122	140
J <sub>16</sub>	95	110	130	180	230	250	350
L <sub>1</sub>	30	30	30	40	50	80	80
L <sub>2</sub>	30	40	50	60	80	100	110
O	115	130	165	215	265	300	400
P	130.4	155	199	248	299	398	503
Q	68 (IEC56) 70 (IEC63) 80 (IEC71)	73 (IEC63) 83 (IEC71) 83 (IEC80)	99 (IEC80) 99 (IEC90) ---	118 <sup>1</sup> (IEC90) 119 <sup>2</sup> (IEC100) ---	140 (IEC100) 141 (IEC112) 153 (IEC132)	180 (IEC132) 220 (IEC160) ---	223 (IEC160) 223 (IEC180) ---
Q <sub>1</sub>	74	84	100	118 <sup>3</sup>	138	169	207
S	8.5	8.5	8.5	10.5	12.5	16.5	18.5
T	2	2.5	2.5	2.5	2.5	3	3
U	M6	M8	M8	M10	M12	M16	M18
V	8	9	10	11	14	18	24
W	34	45.5	54.5	66.5	87.5	108	118
Z	130.4	175	224	278	334	418	529
Z <sub>1</sub>	M4 x 10	M4 x 10	M5 x 12	M6 x 15	M8 x 20	M8 x 20	M10 x 25
Z <sub>2</sub>	M5 x 12	M6 x 15	M8 x 20	M8 x 20	M10 x 25	M12 x 30	M14 x 35

<sup>1</sup> = 131.5 (FRC130/B5)

<sup>2</sup> = 132.5 (FRC130/B5)

<sup>3</sup> = 132.5 (RC130/B5)

\* = In esaurimento - Discontinued model - Obsolete wird

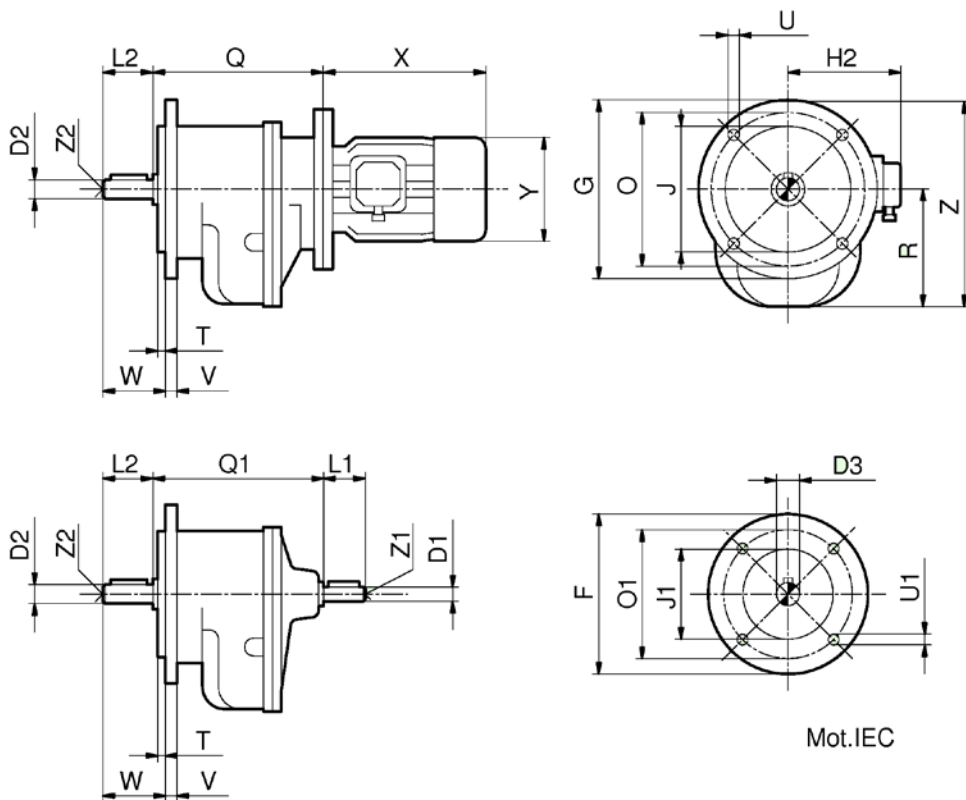
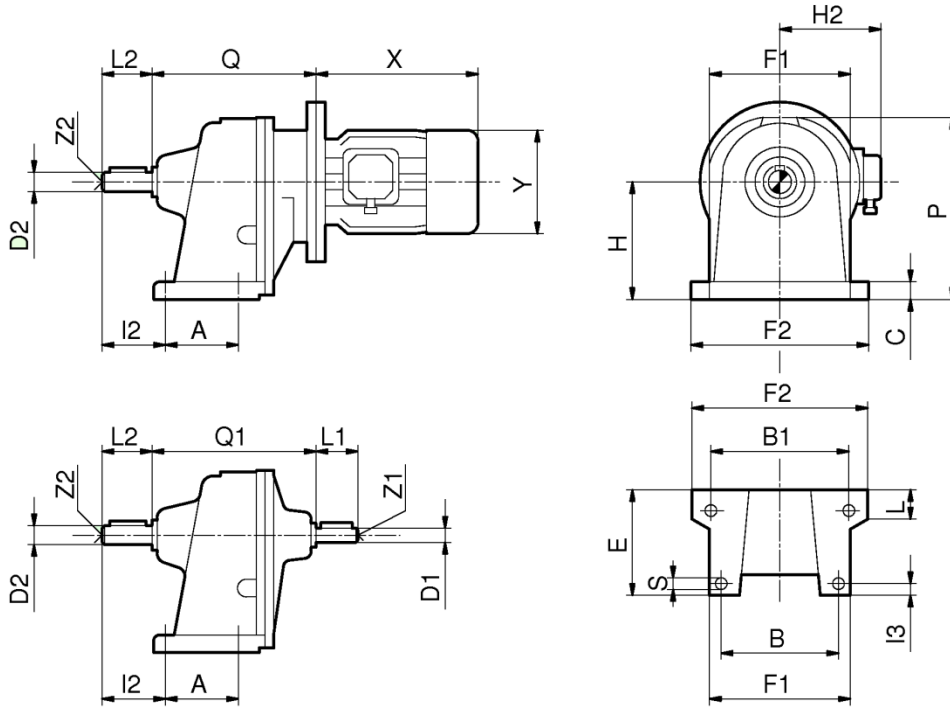
IEC	56 (B14)	63	71	80 (B14)	90 S/L	100	112	132 S/M	160	180 M/L
D <sub>3</sub>	9	11	14	19	24	28	28	38	42	48
F	120 (80)	140	150	200 (120)	200	250	250	300	350	350
H <sub>2</sub>	85	95	107	122	128	140	140	180	230	230/257
J <sub>16</sub>	80 (50)	95	110	130 (80)	130	180	180	230	250	250
O <sub>1</sub>	100 (65)	115	130	165 (100)	165	215	215	265	300	300
U <sub>1</sub>	7 (M5)	9	9	11 (M6)	11	14	14	14	18	18
X	156	185	215	28	255/280	309	328	368/405	538	538/613
Y	110	123	140	159	176	195	219	258	314	368

Dimensioni non impegnative - Not binding dimensions - unverbindliche Abmessungen

2 COPPIE  
 2 STAGES  
 2 STUFIGE

# VARVEL - RC

DIMENSIONI DI INGOMBRO  
 OVERALL DIMENSIONS  
 ABMESSUNGEN



# VARVEL - RC

DIMENSIONI DI INGOMBRO  
OVERALL DIMENSIONS  
ABMESSUNGEN

MRC	205	210	220	230	240	250	260
A	57	58	65	85	105	140	185
B	90	110	140	160	190	250	310
B <sub>1</sub>	113	125	157	187	223	283	352
C	8	9	14	17	20	28	29
D <sub>1 k6</sub>	11	11	14	19	24	28	38
D <sub>2 k6</sub>	17	20	25	32	40	50	65
E	85	90	105	128	154	196	260
F <sub>1</sub>	110	130	170	190	220	290	360
F <sub>2</sub>	135	146	185	215	260	330	400
G	140 (120/160)	160 (120/140)	200 (160)	250 (200)	300 (250)	350 (300)	450
H	81	96	126	155	185	245	305
I <sub>2</sub>	45	54	67	99	111	136	164
I <sub>3</sub>	7.5	10	13	14	15	20	23
J <sub>j6</sub>	95 (80/110)	110 (80/95)	130 (110)	180 (130)	230 (180)	250 (230)	350
L	32	32	37	47	52	62	87
L <sub>1</sub>	30	30	30	40	50	80	80
L <sub>2</sub>	35	40	50	80	90	110	14
O	115 (100/130)	130 (100/115)	165 (130)	215 (165)	265 (215)	300 (265)	400
P	130	150	195	240	285	375	468
Q	125 (IEC56) 127 (IEC63) 137 (IEC71)	134 (IEC63) 144 (IEC71) 154 (IEC80)	160 (IEC71) 175 (IEC80) 175 (IEC90)	207 (IEC80-90) 208 (IEC100) 208 (IEC112)	238 (IEC90) 248 (100-112) 260 (IEC132)	287 (100-112) 317 (IEC132) 3517 (IEC160)	376 (IEC132) 414 (IEC160) 414 (IEC180)
Q <sub>1</sub>	131	145	176	208	245	310	398
R	80	95	124	153	184	243	304
S	9	9	11	13	15	17	19
T	2	2.5	2.5	2.5	2.5	2.5	3
U	10.5	10.5	11.5	14.5	14.5	18.5	22
V	8	10	10	12	16	20	25
W	39.5	46.5	53	87.5	98.5	118.5	147
Z	151 (140/160)	175 (155/165)	224 (204)	278 (253)	334 (309)	418 (393)	529
Z <sub>1</sub>	M4x10	M4x10	M5x12	M6x15	M8x20	M8x20	M10x25
Z <sub>2</sub>	M6x15	M6x15	M8x20	M10x25	M12x30	M14x35	M14x35

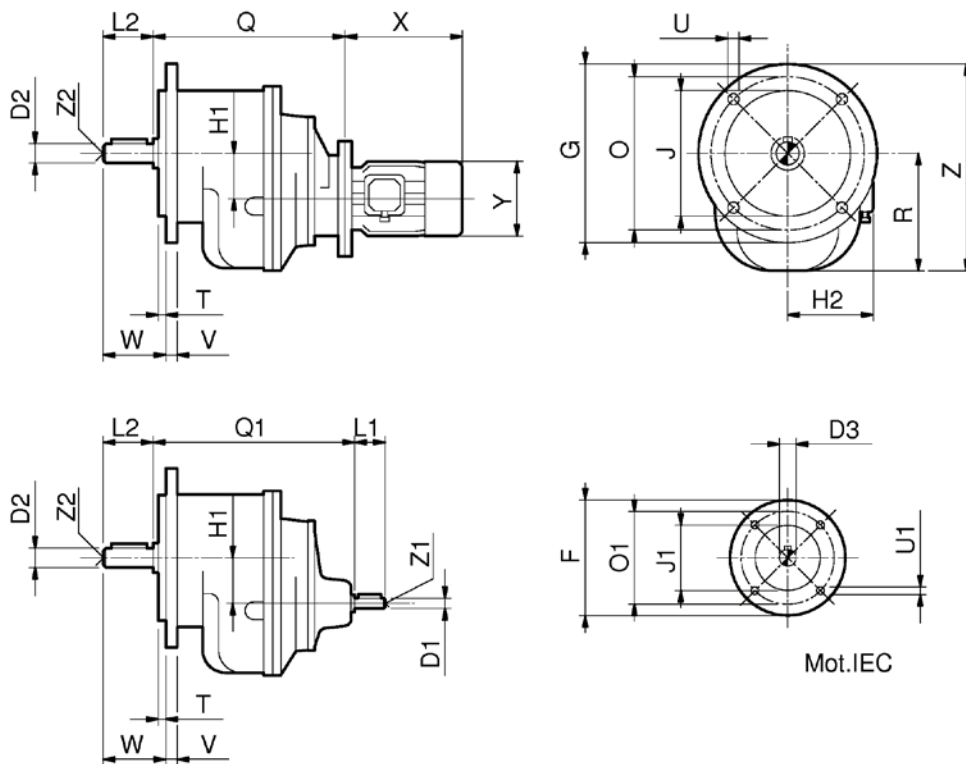
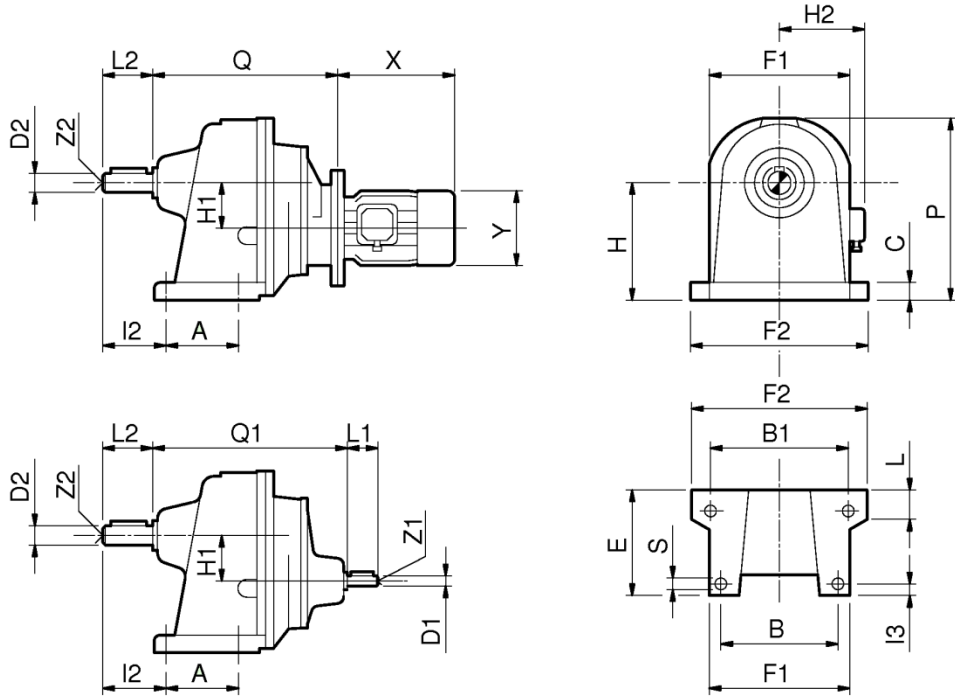
IEC	56 (B14)	63	71	80 (B14)	90 S/L	100	112	132 S/M	160	180 M/L
D <sub>3</sub>	9	11	14	19	24	28	28	38	42	48
F	120 (80)	140	150	200 (120)	200	250	250	300	350	350
H <sub>2</sub>	85	95	107	122	128	140	140	180	230	230/257
J <sub>1 j6</sub>	80 (50)	95	110	130 (80)	130	180	180	230	250	250
O <sub>1</sub>	100 (65)	115	130	165 (100)	165	215	215	265	300	300
U <sub>1</sub>	7 (M5)	9	9	11 (M6)	11	14	14	14	18	18
X	156	185	215	28	255/280	309	328	368/405	538	538/613
Y	110	123	140	159	176	195	219	258	314	368

Dimensioni non impegnative - Not binding dimensions - unverbindliche Abmessungen

3 COPPIE  
 3 STAGES  
 3 STUFIGE

# VARVEL - RC

DIMENSIONI DI INGOMBRO  
 OVERALL DIMENSIONS  
 ABMESSUNGEN





# VARVEL - RC

DIMENSIONI DI INGOMBRO  
OVERALL DIMENSIONS  
ABMESSUNGEN

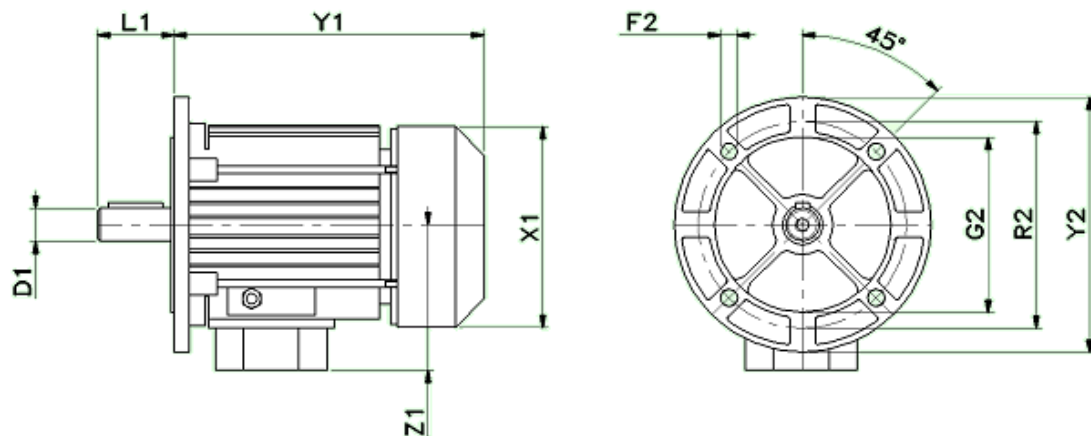
MRC	305	310	320	330	340	350	360	
A	57	58	65	85	105	140	185	
B	90	110	140	160	190	250	310	
B1	113	125	157	187	223	283	352	
C	8	9	14	17	20	28	29	
D <sub>1 k6</sub>	11	11	11	14	19	24	28	
D <sub>2 k6</sub>	17	20	25	32	40	50	65	
E	85	90	105	128	154	196	260	
F <sub>1</sub>	110	130	170	190	220	290	360	
F <sub>2</sub>	135	146	185	215	260	330	400	
G	140 (120/160)	160 (120/140)	200 (160)	250 (200)	300 (250)	350 (300)	450	
H	81	96	126	155	185	245	305	
H <sub>1</sub>	38	45	45	60	75	90	121	
I <sub>2</sub>	45	54	67	99	111	136	164	
I <sub>3</sub>	7.5	10	13	14	15	20	23	
J <sub>j6</sub>	95 (80/110)	110 (80/95)	130 (110)	180 (130)	230 (180)	250 (230)	350	
L	32	32	37	47	52	62	87	
L <sub>1</sub>	30	30	30	30	40	50	80	
L <sub>2</sub>	35	40	50	80	90	110	140	
O	115 (100/130)	130 (100/115)	165 (130)	215 (165)	265 (215)	300 (265)	400	
P	130	150	195	240	285	375	468	
Q	150 (IEC56)	156 (IEC56)	176 (IEC63)	214 (IEC63)	242 (IEC71)	311 (IEC71)	394 (IEC80-90)	
	---	159 (IEC63)	186 (IEC71)	216 (IEC71)	271 (IEC80)	324 (IEC80-90)	404 (IEC100-112)	
	---	---	---	231 (IEC80)	271 (IEC90)	324 (IEC100)	434 (IEC132)	
Q <sub>1</sub>	156	170	186	222	272	331	427	
R	80	95	124	153	184	243	304	
S	9	9	11	13	15	17	19	
T	2	2.5	2.5	2.5	2.5	2.5	3	
U	10.5	10.5	11.5	14.5	14.5	18.5	22	
V	8	10	10	12	16	20	25	
W	39.5	46.5	53	87.5	98.5	118.5	147	
Z	151 (140/160)	175 (155/165)	224 (204)	278 (253)	334 (309)	418 (393)	529	
Z <sub>1</sub>	M6x15	M6x15	M8x20	M10x25	M12x30	M14x35	M14x35	
Z <sub>2</sub>	M4x10	M4x10	M5x12	M6x15	M8x20	M8x20	M10x25	
Mot. IEC	56 (B14)	63	71	80 (B14)	90S/L	100	112	132S/M
D <sub>3</sub>	9	11	14	19	24	28	28	38
F	120 (80)	140	160	200 (120)	200	250	250	300
(* H <sub>2</sub>	85	95	107	122	128	140	140	180
J <sub>1 j6</sub>	80 (50)	95	110	130 (80)	130	180	180	230
O <sub>1</sub>	100 (65)	115	130	165 (100)	165	215	215	265
U <sub>1</sub>	7 (M5)	9	9	11 (M6)	11	14	14	14
X	156	185	215	238	255/280	309	328	368/405
Y	110	123	140	150	176	195	219	258

Dimensioni non impegnative - Not binding dimensions - unverbindliche Abmessungen



# VARVEL - RC

DIMENSIONI DI INGOMBRO  
OVERALL DIMENSIONS  
ABMESSUNGEN



IEC	56 B14	63	71	80	90 S/L	100	112	132 S/M	160 M/L	180 M/L
D1 x L1	9 x 20	11 x 23	14 x 30	19 x 40	24 x 50	28 x 60	28 x 60	38 x 80	42 x 100	48 x 110
F2	7	9	9	11	11	14	14	14	18	18
G2	80	95	110	130	130	180	180	230	250	250
R2	100	115	130	165	165	215	215	265	300	300
X2	110	123	140	159	176	195	219	258	315	368
Y1	168	185	215	238	255/280	309	328	368/405	478/522	538/613
Y2	120	140	160	200	200	250	250	300	350	350
Z1	108	110	121	138	149	160	172	192	220	230/357
kg	2.5	4.5	6	10	13.5	21	29	43/52	68/78	160/180

Dimensioni non impegnative

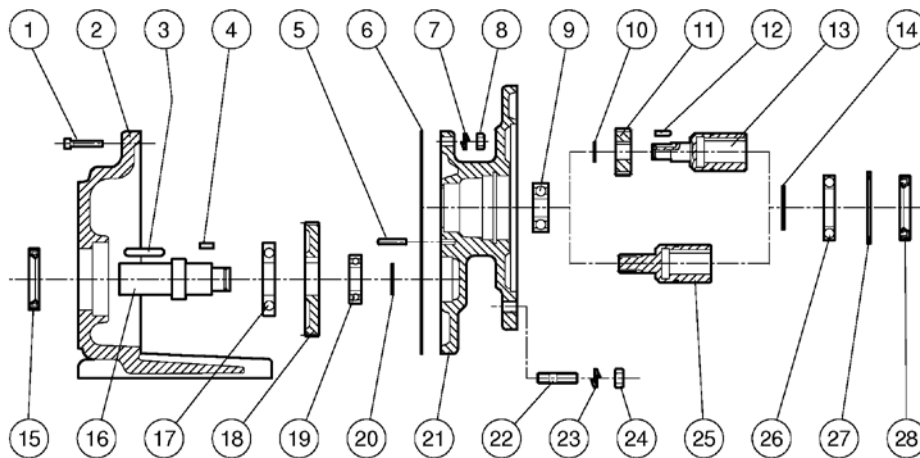
- Not binding dimensions

- Durchmesser auf Anfrage

# VARVEL - RC

ELENCO PARTI  
PART LIST  
TEILE-LISTE

1 COPPIA  
1 STAGE  
1 STUFIG

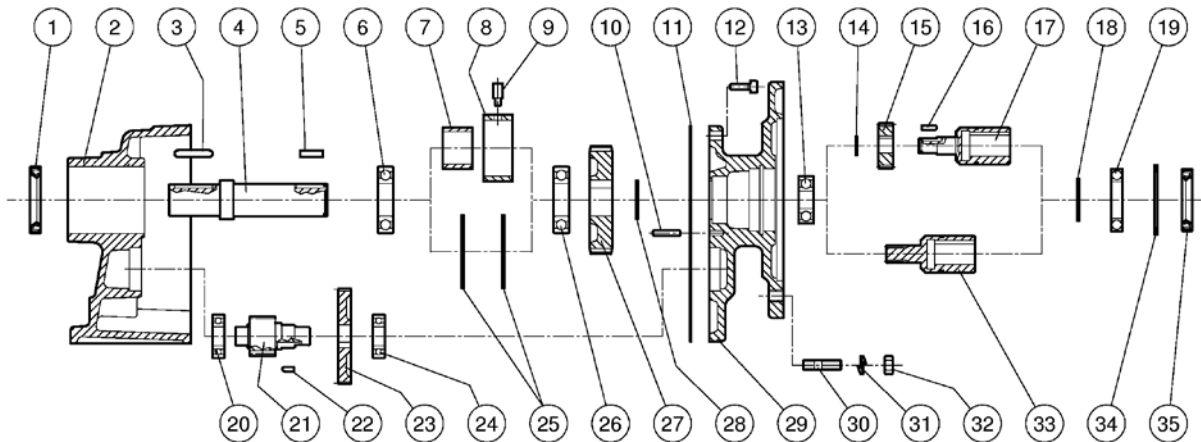


1	Vite	Screw	Schraube
2	Carcassa B3 o B5	Housing B3 or B5	Gehäuse
3	Linguetta	Key	Keil
4	Linguetta	Key	Keil
5	Spina cilindrica	Parallel pin	zylindrisch Stift
6	Guarnizione	Gasket	Dichtung
7	Rondella	Washer	Scheibe
8	Dado	Nut	Mutter
9	Cuscinetto ( 2Z = V1, V5 )	Bearing ( 2Z = V1, V5 )	Lager ( 2Z = V1, V5 )
10	Anello di arresto	Seeger ring	Seegerring
11	Pignone	Pinion	Ritzel
12	Linguetta	Key	Keil
13	Manicotto	Hollow input	Eingangshohlwelle
14	Anello di arresto	Seeger ring	Seegerring
15	Anello di tenuta	Oilseal	Öldichtung
16	Albero uscita	Output shaft	Ausgangswelle
17	Cuscinetto ( 2Z = V3, V6 )	Bearing ( 2Z = V3, V6 )	Lager ( 2Z = V1, V5 )
18	Ruota	Gear	Rad
19	Cuscinetto ( 2Z = V1, V5 )	Bearing ( 2Z = V1, V5 )	Lager ( 2Z = V1, V5 )
20	Anello di arresto	Seeger ring	Seegerring
21	Coperchio entrata	Input cover	Eingangsdeckel
22	Vite	Screw	Schraube
23	Rondella	Washer	Scheibe
24	Dado	Nut	Mutter
25	Manicotto dentato 1:8.3	Hollow pinion 1:8.3	Hohlritzel 1:8.3
26	Cuscinetto ( 2Z = V1, V5 )	Bearing ( 2Z = V1, V5 )	Lager ( 2Z = V1, V5 )
27	Anello di arresto	Seeger ring	Seegerring
28	Anello di tenuta	Oilseal	Öldichtung

# VARVEL - RC

2 COPPIE  
2 STAGES  
2 STUFIGE

ELENCO PARTI  
PART LIST  
TEILE-LISTE

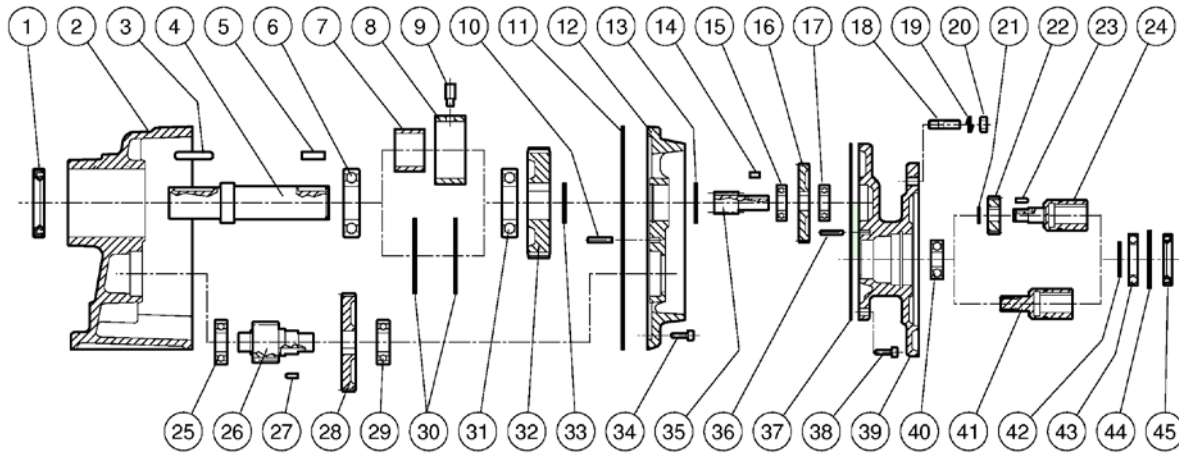


1	Anello di tenuta	Oilseal	Öldichtung
2	Carcassa B3 o B5	Housing B3 or B5	Gehäuse B3 oder B5
3	Linguetta	Key	Keile
4	Albero uscita	Output shaft	Ausgangswelle
5	Linguetta	Key	Keil
6	Cuscinetto ( 2Z = V3, V6 )	Bearing ( 2Z = V3, V6 )	Lager ( 2Z = V3, V6 )
7	Distanziale - RC 40, 50, 60	Spacer - RC 40, 50, 60	Distanzring - RC 40, 50, 60
8	Distanziale - RC 40, 50, 60	Spacer - RC 40, 50, 60	Distanzring - RC 40, 50, 60
9	Vite - RC 40, 50, 60	Screw - RC 40, 50, 60	Schraube - RC 40, 50, 60
10	Spina cilindrica	Parallel pin	zylindrisch Stift
11	Guarnizione	Gasket	Dichtung
12	Vite	Screw	Schraube
13	Cuscinetto ( 2Z = V1, V5 )	Bearing ( 2Z = V1, V5 )	Lager ( 2Z = V3, V6 )
14	Anello di arresto	Seeger ring	Seegerring
15	Pignone	Pinion	Ritzel
16	Linguetta	Key	Keil
17	Manicotto	Hollow input	Eingangshohlwelle
18	Anello di arresto	Seeger ring	Seegerring
19	Cuscinetto ( 2Z = V1, V5 )	Bearing ( 2Z = V1, V5 )	Lager ( 2Z = V3, V6 )
20	Cuscinetto ( 2Z = V3, V6 )	Bearing ( 2Z = V3, V6 )	Lager ( 2Z = V3, V6 )
21	Pignone	Pinion	Ritzel
22	Linguetta	Key	Keil
23	Ruota	Gear	Rad
24	Cuscinetto ( 2Z = V1, V5 )	Bearing ( 2Z = V1, V5 )	Lager ( 2Z = V3, V6 )
25	Anello di arresto - RC 05-30	Seeger ring - RC 05-30	Seegerring
26	Cuscinetto ( 2Z = V3, V6 )	Bearing ( 2Z = V3, V6 )	Lager ( 2Z = V3, V6 )
27	Ruota	Gear	Rad
28	Anello di arresto	Seeger ring	Seegerring
29	Coperchio entrata	Input cover	Eingangsdeckel
30	Vite	Screw	Schraube
31	Rondella	Washer	Scheibe
32	Dado	Nut	Mutter
33	Manicotto dentato 1:8.3	Hollow pinion 1:8.3	Hohlritzel 1:8.3
34	Anello di arresto	Seeger ring	Seegerring
35	Anello di tenuta	Oilseal	Öldichtung

# VARVEL - RC

3 COPPIE  
3 STAGES  
3 STUFIGE

ELENCO PARTI  
PART LIST  
TEILE-LISTE



1	Anello di tenuta	Oilseal	Öldichtung
2	Carcassa B3 o B5	Housing B3 or B5	Gehäuse B3 oder B5
3	Linguetta	Key	Keil
4	Albero uscita	Output shaft	Ausgangswelle
5	Linguetta	Key	Keil
6	Cuscinetto ( * = V3, V6 )	Bearing ( 2Z = V3, V6 )	Lager ( 2Z = V3, V6 )
7	Distanziale - RC 40, 50, 60	Spacer - RC 40, 50, 60	Distanzring - RC 40, 50, 60
8	Distanziale - RC 40, 50, 60	Spacer - RC 40, 50, 60	Distanzring - RC 40, 50, 60
9	Vite - RC 40, 50, 60	Screw - RC 40, 50, 60	Schraube - RC 40, 50, 60
10	Spina cilindrica	Parallel pin	zylindrisch Stift
11	Guarnizione	Gasket	Dichtung
12	Coperchio 3a coppia	Adapter 3 <sup>rd</sup> stage	Deckel 3-stufige
13	Anello di arresto	Seeger ring	Seegerring
14	Linguetta	Key	Keil
15	Cuscinetto ( * = V1, V5 )	Bearing ( 2Z* = V1, V5 )	Lager ( 2Z = V3, V6 )
16	Ruota	Gear	Rad
17	Cuscinetto ( * = V1, V5 )	Bearing ( 2Z* = V1, V5 )	Lager ( 2Z = V3, V6 )
18	Vite	Screw	Schraube
19	Rondella	Washer	Scheibe
20	Dado	Nut	Mutter
21	Anello di arresto	Seeger ring	Seegerring
22	Pignone	Pinion	Ritzel
23	Linguetta	Key	Keile
24	Manicotto	Hollow input	Antriebshohlwelle
25	Cuscinetto ( * = V3, V6 )	Bearing ( 2Z = V3, V6 )	Lager ( 2Z = V3, V6 )
26	Pignone	Pinion	Ritzel
27	Linguetta	Key	Keil
28	Ruota	Gear	Rad
29	Cuscinetto ( 2Z = V3, V6 )	Bearing ( 2Z = V3, V6 )	Lager ( 2Z = V3, V6 )
30	Anello di arresto - RC 05-30	Circlip - RC 05-30	Seegerring - RC 05-30
31	Cuscinetto ( * = V3, V6 )	Bearing ( 2Z = V3, V6 )	Lager ( 2Z = V3, V6 )
32	Ruota	Gear	Rad
33	Anello di arresto	Seeger ring	Seegerring
34	Vite	Screw	Schraube
35	Pignone	Pinion	Ritzel
36	Spina cilindrica	Parallel pin	zylindrisch Stift
37	Guarnizione	Gasket	Dichtung
38	Vite	Screw	Schraube
39	Coperchio entrata	Input cover	Eingangsdeckel
40	Cuscinetto ( * = V1, V5 )	Bearing ( 2Z = V1, V5 )	Lager ( 2Z = V3, V6 )
41	Manicotto dentato 1:8.3	Hollow pinion 1:8.3	Hohlrad 1:8.3
42	Anello di arresto	Seeger ring	Seegerring
43	Cuscinetto ( * = V1, V5 )	Bearing ( 2Z = V1, V5 )	Lager ( 2Z = V3, V6 )
44	Anello di arresto	Seeger ring	Seegerring
45	Anello di tenuta	Oilseal	Öldichtung



# VARVEL - RC

## Estratto delle ISTRUZIONI DI USO E MANUTENZIONE Abstract of OPERATION AND MAINTENANCE INSTRUCTIONS Auszug der BETRIEBS- UND WARTUNGSANWEISUNGEN

I riduttori e i variatori di velocità non ricadono nel campo d'applicazione della Direttiva Macchine, art.1(2) e non possono essere messi in servizio finché la macchina nella quale devono essere incorporati, sia stata dichiarata conforme all'art. 4(2), all. II(B) delle Direttive Macchine 98/37/CEE/22.6.98 e, solo per l'Italia, al DL 459/24.7.96.

### Installazione

Accertarsi che il gruppo da installare abbia le caratteristiche atte a svolgere la funzione richiesta e che la posizione di montaggio sia coerente con quanto ordinato. Tali caratteristiche sono deducibili dalla targhetta di identificazione apposta sul riduttore. Effettuare la verifica della stabilità del montaggio affinché non si verifichino vibrazioni o sovraccarichi durante il funzionamento.

### Funzionamento

Il riduttore può essere collegato per rotazione oraria o antioraria. Arrestare immediatamente il riduttore in caso di funzionamento difettoso o di rumorosità anomala, rimuovere il difetto o ritornare l'apparecchio alla fabbrica per una adeguata revisione. Se la parte difettosa non viene sostituita, anche altre parti possono venire danneggiate con conseguenti ulteriori danneggiamenti e più scarsa possibilità di risalire alle cause.

### Manutenzione

Sebbene i gruppi siano provati con funzionamento senza carico prima della spedizione, è consigliabile non usarli a carico massimo durante le prime 20-30 ore di funzionamento affinché le parti interne possano adattarsi reciprocamente. I riduttori sono spediti già riempiti con olio sintetico a lunga durata e, se occorre sostituire o rabboccare il lubrificante, non mescolare oli a base sintetica con oli a base minerale.

### Movimentazione

In caso di sollevamenti con paranco, utilizzare posizioni di aggancio sulla struttura della carcassa, golfari ove esistenti, fori dei piedi o sulle flange, evitando tutte le parti mobili.

### Verniciatura

Qualora il gruppo subisca una verniciatura successiva, è necessario proteggere accuratamente gli anelli di tenuta, i piani di accoppiamento e gli alberi sporgenti.

### Conservazione prolungata a magazzino

Per permanenze maggiori di 3 mesi, è consigliata la applicazione di antiossidanti sui alberi esterni e piani lavorati, e di grasso protettivo sui labbri dei paraolio.

### Gestione Ambientale del prodotto

In conformità alla Certificazione Ambientale ISO14001, vengono suggerite le seguenti indicazioni per lo smaltimento del nostro prodotto:

- i componenti del gruppo che vengono rottamati debbono essere consegnati a centri di raccolta autorizzati per i materiali metallici;
- gli oli ed i lubrificanti raccolti dal gruppo devono essere smaltiti consegnandoli ai Consorzi Oli esausti;
- gli imballi a corredo dei gruppi (paletta, cartone, carta, plastica, ecc.) vanno avviati per quanto più possibile al recupero/riciclo, consegnandoli a ditte autorizzate per le singole classi di rifiuto.

Variable speed and gear boxes are not part of the field of application of the Machinery Directive, art.1(2), and they must not be put into service until the machinery into which they are to be incorporated, has been declared in conformity with the provision of art.4(2), annex II(B) of Machinery Directives 98/37/CEE/22.6.98 and for Italy only, of DL 459/24.7.96.

### Installation

Check if the unit to be installed, is properly selected to perform the required function and that its mounting position complies with the order.

The nameplate reports such information.

Check mounting stability is adequate to run the unit without vibrations or overloads.

### Running

The unit may be connected for clockwise or counter-clockwise rotation.

The unit must be stopped as soon as defective running or unexpected noise occurs, remove the faulty part or return the unit to the factory for checking.

If the faulty part is not replaced, other parts can also be affected, causing more severe damage and making the identification of initial cause more difficult.

### Maintenance

Although the units are no-load run tested in the factory before despatch, it is recommended not to run them at maximum load for the first 20-30 running hours to allow the proper running in.

The gearboxes are delivered already filled with long-life synthetic oil and, in case of replacement or topping, do not mix with mineral lubricants.

### Handling

When hoisting, use relevant housing locations or eyebolts if provided, or foot or flange holes. Never hoist on any moving part.

### Painting

Carefully protect oilseals, coupling faces and shafts when units are re-painted.

### Long-term storage

For storage periods longer than 3 months, apply antioxidants onto shafts and machined surfaces, and protective grease on oilseal lips.

### Product Environmental Management

In conformity with Environmental Certification ISO 14001, we recommend the following to dispose of our products:

- scrapped components of the units to deliver to authorized centres for metal object collection;
- oils and lubricants drained from the units to deliver to Exhausted Oil Centres;
- packages (pallets, carton boxes, paper, plastic, etc.) to deliver into regeneration/recycling circuits as far as possible, by delivering separate waste classes to authorized companies.

Varvel-Getriebe und Variatoren fallen nicht unter den Geltungsbereich der Maschinenrichtlinien Art. 1(2). Sie dürfen jedoch nicht in Betrieb gesetzt werden, bevor sich nicht Maschinen, in die sie eingebaut werden, mit Art. 4(2), Anhang II(B) der Maschinenrichtlinien 98/37/CEE/22.6.98 und (nur für Italien) DL 459/24.7.96 in Übereinstimmung befinden.

### Aufstellung

Vor der Aufstellung ist zu prüfen, dass die Antriebseinheit in bezug auf die Betriebsbedingungen richtig ausgewählt wurde und die Einbaulage mit der Bestellung übereinstimmt. Angaben hierüber sind auf dem Typenschild zu finden. Die Stützkonstruktion für die Getriebe ist so stabil auszuführen, dass keine Schwingungen oder Überlastungen auftreten, eventuell sind elastische Kupplungen oder Drehmomentbegrenzer zu verwenden.

### Inbetriebnahme

Die Antriebseinheit kann in beiden Drehrichtungen eingesetzt werden. Die Einheit muss sofort angehalten werden, wenn ein unzulässiger Lauf oder unerwartete Geräusche auftreten. Das fehlerhafte Teil ist zu ersetzen oder die Einheit ist zur Überprüfung einzuschicken. Falls das fehlerhafte Teil nicht ersetzt wird, kann dies zu weiteren Schäden an anderen Bauteilen führen, was eine Feststellung der Ursachen sehr schwierig machen kann.

### Wartung

Obwohl die Einheiten vor der Auslieferung im Leerlauf getestet wurden, ist es ratsam, sie in den ersten 20-30 Stunden nicht mit Vorlast zu betreiben, um ein einwandfreies Einlaufen der Einheiten zu gewährleisten. Die Einheiten werden entsprechend den Angaben auf dem Typenschild mit synthetischem Schmierstoff lebensdauer-geschmiert ausgeliefert. Bei einem eventuellen Ölwechsel oder Nachfüllen darf der Schmierstoff nicht mit Mineralöl vermischt werden..

### Handhabung und Transport

Beim Hochheben der Einheiten sind dabei geeignete Bereiche am Gehäuse oder, falls vorgesehen, Aufhängeösen oder Fuß- bzw. Flanschbohrungen zu benutzen. Bewegliche Teile dürfen nicht zum Anheben benutzt werden.

### Anstrich

Beim Erneuern oder dem zusätzlichen Aufbringen eines Anstriches sind die Dichtungen, Kupplungssitze und Wellen sorgfältig zu schützen.

### Langzeitlagerung

Die Einlagerung der Einheiten muss trocken und staubfrei erfolgen. Bei einer Einlagerungszeit über 3 Monate sind bearbeitete Flächen (außer Aluminium) und Wellen mit Rostschutzmitteln zu besprühen, Dichtlippen sind mit Fett zu schützen.

### Entsorgung

In Übereinstimmung mit ISO 14001 weisen wir darauf hin, im Falle Verschrottens des einzelnen Metallteile getrennt zu behandeln und Schmiermittel bei den befugten Stellen zu entsorgen. Verpackungen sollten soweit möglich wieder verwendet werden.