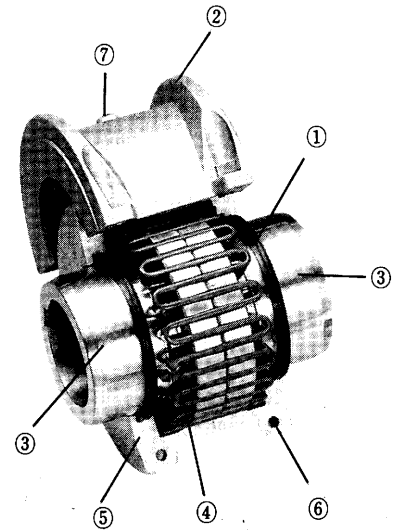
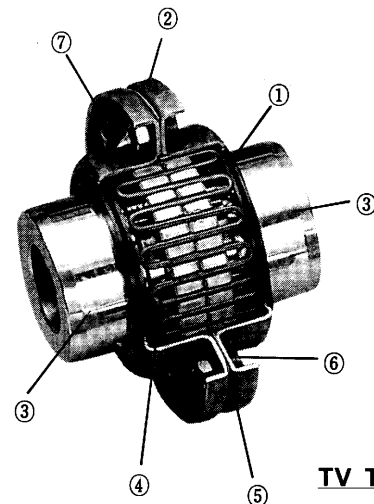


## MERITS

- 1) When OVERLOAD, grid is assigned a part of safety pin and prevents breaking of the shaft or machinery part by cutting of grid.
- 2) When the centering misalignment is too much, it can protect the relating machine by the virtue of shearing of GRID or TOOTH .
- 3) The life of all parts (Mechanical Seal and Bearing, etc) can be extended as a twice or more.
- 4) Repair and check is needed scarcely, it costs short repairing time.
- 5) Establishment, Assembly and maintenance are easy by getting rid of center misalignment.
- 6) It always transmits the power fully (100%) and makes no noise.
- 7) You can use it continually by chaging accessories only.



**TH Type**



- Part numbers
1. Oil Seal
  2. Cover
  3. Hub
  4. Grid
  5. Gasket
  6. Bolt
  7. Lube Plug

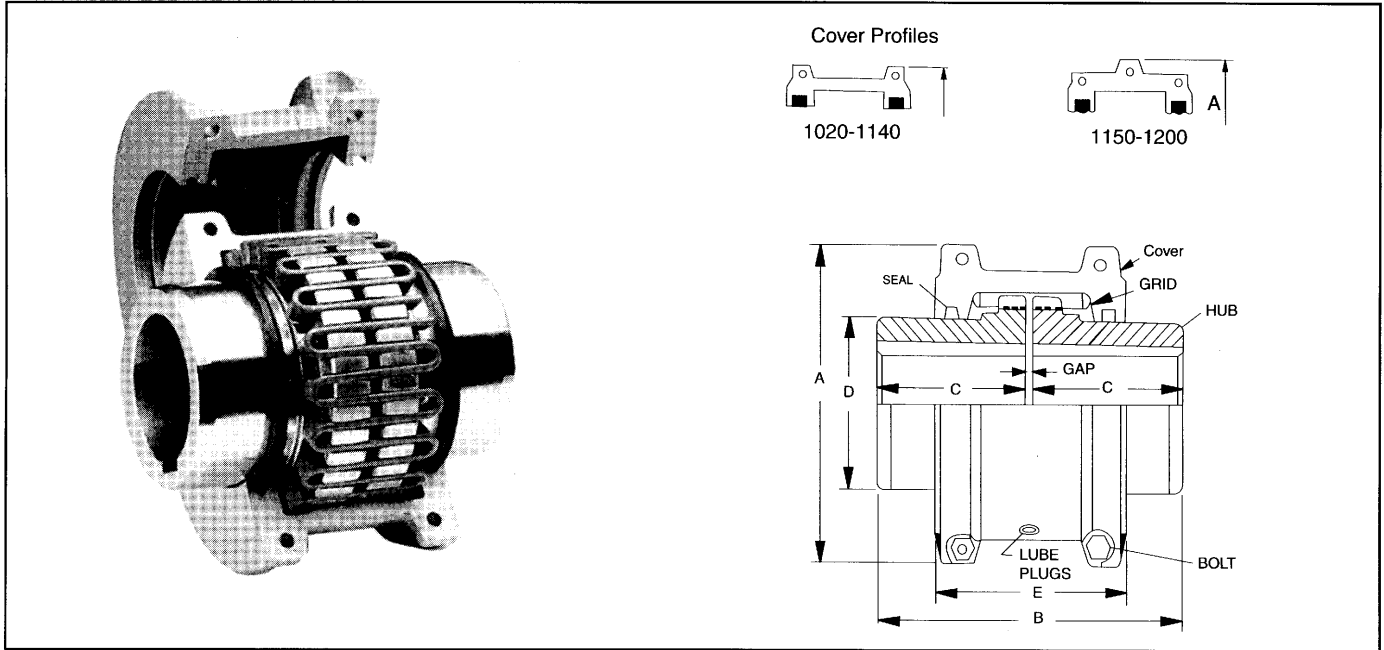
**TV Type**

## Application

Connecting the Line shaft, We have early used the Flange or Chain Coupling but now using the TAPER GRID COUPLING we will get many benefits.

- 1) When we need to prevent the transmission of vibration and shock, ect.
- 2) When we need adequate power transmission under line misalignment,
- 3) When we need adequate power transmission angular misalignment.
- 4) When we need adequate power transmission under end floating.
- 5) When we need to prevent breaking of the machinery parts under over load.
- 6) When reverse revolution is required.
- 7) When we need smooth starting.

## Type **TH** (Horizontal Split Aluminum Cover)

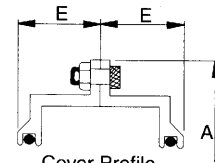
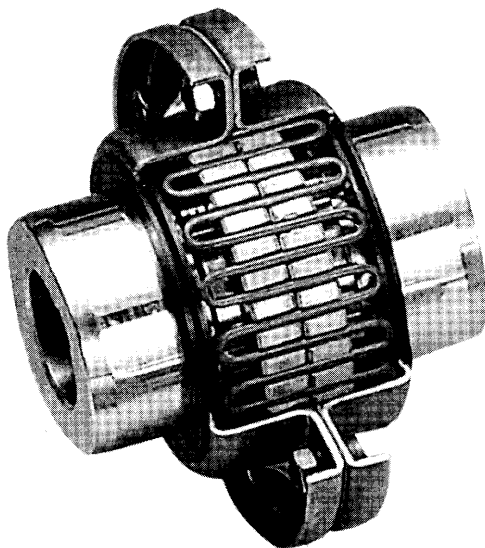


| Size | HP Per 100 rpm | Max Speed (rpm) | Basic Torque (kg.cm) | Bore Dia (mm) |       | Dimensions(mm) |       |       |       |       | Gap (mm) |        |      | Cplg Wt(kg) | Lube Wt (kg) | Size |
|------|----------------|-----------------|----------------------|---------------|-------|----------------|-------|-------|-------|-------|----------|--------|------|-------------|--------------|------|
|      |                |                 |                      | Max           | Min   | A              | B     | C     | D     | E     | Min.     | Normal | Max. |             |              |      |
| 1020 | 0.68           | 4,500           | 486                  | 30            | 12    | 101.6          | 98.0  | 47.5  | 39.7  | 66.5  | 1.5      | 3      | 4.5  | 1.9         | 0.03         | 1020 |
| 1030 | 1.93           | 4,500           | 1,383                | 35            | 12    | 110.0          | 98.0  | 47.5  | 49.2  | 68.3  | 1.5      | 3      | 4.5  | 2.6         | 0.03         | 1030 |
| 1040 | 3.22           | 4,500           | 2,304                | 43            | 12    | 117.5          | 104.6 | 50.8  | 57.1  | 70.0  | 1.5      | 3      | 4.5  | 3.4         | 0.05         | 1040 |
| 1050 | 5.63           | 4,500           | 4,033                | 50            | 12    | 138.0          | 123.6 | 60.3  | 66.7  | 79.5  | 1.5      | 3      | 4.5  | 5.4         | 0.05         | 1050 |
| 1060 | 8.85           | 4,350           | 6,337                | 55            | 19    | 150.5          | 130.0 | 63.5  | 76.2  | 92.0  | 1.5      | 3      | 4.5  | 7.3         | 0.09         | 1060 |
| 1070 | 13             | 4,125           | 9,217                | 65            | 19    | 161.9          | 155.4 | 76.2  | 87.3  | 95.0  | 1.5      | 3      | 4.5  | 10          | 0.11         | 1070 |
| 1080 | 27             | 3,600           | 19,010               | 78            | 27.0  | 194.0          | 180.8 | 88.9  | 104.8 | 116.0 | 1.5      | 3      | 4.5  | 18          | 0.17         | 1080 |
| 1090 | 48             | 3,600           | 34,564               | 95            | 27.0  | 213.0          | 199.8 | 98.4  | 123.8 | 122.0 | 1.5      | 3      | 6    | 25          | 0.25         | 1090 |
| 1100 | 81             | 2,400           | 58,183               | 107           | 41    | 250.0          | 245.7 | 120.6 | 142.0 | 155.5 | 1.5      | 3      | 6    | 42          | 0.43         | 1100 |
| 1110 | 121            | 2,250           | 86,411               | 117           | 41    | 270.0          | 258.5 | 127.0 | 160.3 | 161.5 | 1.5      | 4.5    | 9.5  | 54          | 0.51         | 1110 |
| 1120 | 177            | 2,025           | 126,736              | 136           | 60    | 308.0          | 304.4 | 149.2 | 179.4 | 191.5 | 1.5      | 4.5    | 9.5  | 81          | 0.73         | 1120 |
| 1130 | 257            | 1,800           | 184,343              | 165           | 67    | 346.0          | 329.8 | 161.9 | 217.5 | 195.0 | 1.5      | 6      | 12.5 | 121         | 0.91         | 1130 |
| 1140 | 370            | 1,650           | 264,993              | 184           | 67    | 384.0          | 371.6 | 182.8 | 254.0 | 201.0 | 1.5      | 6      | 12.5 | 178         | 1.13         | 1140 |
| 1150 | 515            | 1,500           | 368,686              | 203           | 108   | 453.1          | 371.8 | 182.9 | 269.2 | 271.3 | 1.5      | 6      | 12.5 | 234         | 1.95         | 1150 |
| 1160 | 724            | 1,350           | 518,465              | 228           | 120.7 | 501.4          | 402.2 | 198.1 | 304.8 | 278.9 | 1.5      | 6      | 12.5 | 317         | 2.81         | 1160 |
| 1170 | 965            | 1,225           | 691,286              | 279           | 133.4 | 566.4          | 437.8 | 215.9 | 355.6 | 304.3 | 1.5      | 6      | 12.5 | 448         | 3.49         | 1170 |
| 1180 | 1,338          | 1,100           | 958,584              | 311           | 152.4 | 629.9          | 483.6 | 238.8 | 393.7 | 321.1 | 1.5      | 6      | 12.5 | 619         | 3.76         | 1180 |
| 1190 | 1,770          | 1,050           | 1,267,358            | 339           | 152.4 | 675.6          | 524.2 | 259.1 | 436.9 | 325.1 | 1.5      | 6      | 12.5 | 776         | 4.40         | 1190 |
| 1200 | 2,413          | 900             | 1,728,216            | 361           | 177.8 | 756.9          | 564.8 | 279.4 | 497.8 | 355.6 | 1.5      | 6      | 12.5 | 1,057       | 5.62         | 1200 |

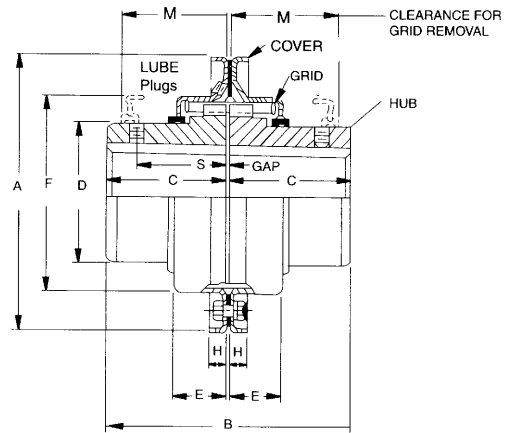
# TAPER GRID COUPLING



## Type TV (Vertical Steel Cover)



Cover Profile  
Size 1150-1200



| Size | HP Per 100 rpm | Max Speed (rpm) | Basic Torque (kg.cm) | Bore Dia (mm) |       | Dimensions(mm) |       |       |       |       | Gap (mm) |        |      | Cplg wt (kg) | Lube wt (kg) | Size |
|------|----------------|-----------------|----------------------|---------------|-------|----------------|-------|-------|-------|-------|----------|--------|------|--------------|--------------|------|
|      |                |                 |                      | Max.          | Min.  | A              | B     | C     | D     | E     | Min.     | Normal | Max. |              |              |      |
| 1020 | 0.68           | 6,000           | 486                  | 30            | 12.7  | 111.1          | 98.0  | 47.5  | 39.7  | 24.2  | 1.5      | 3      | 4.5  | 2.0          | 0.03         | 1020 |
| 1030 | 1.93           | 6,000           | 1,383                | 36            | 12.7  | 120.7          | 98.0  | 47.5  | 49.2  | 25.0  | 1.5      | 3      | 4.5  | 2.6          | 0.03         | 1030 |
| 1040 | 3.22           | 6,000           | 2,304                | 44            | 12.7  | 128.5          | 104.6 | 50.8  | 57.1  | 25.7  | 1.5      | 3      | 4.5  | 3.4          | 0.05         | 1040 |
| 1050 | 5.63           | 6,000           | 4,033                | 50            | 12.7  | 147.6          | 123.6 | 60.3  | 66.7  | 31.2  | 1.5      | 3      | 4.5  | 5.4          | 0.05         | 1050 |
| 1060 | 8.85           | 6,000           | 6,337                | 57            | 19.1  | 162.0          | 130.0 | 63.5  | 76.2  | 32.2  | 1.5      | 3      | 4.5  | 7.3          | 0.09         | 1060 |
| 1070 | 13             | 5,500           | 9,217                | 65            | 19.1  | 173.0          | 155.4 | 76.2  | 87.3  | 33.7  | 1.5      | 3      | 4.5  | 10.4         | 0.11         | 1070 |
| 1080 | 27             | 4,750           | 19,010               | 79            | 27.0  | 200.0          | 180.8 | 88.9  | 104.8 | 44.2  | 1.5      | 3      | 4.5  | 17.7         | 0.17         | 1080 |
| 1090 | 48             | 4,000           | 34,564               | 95            | 27.0  | 231.8          | 199.8 | 98.4  | 123.8 | 47.7  | 1.5      | 3      | 6    | 25.4         | 0.25         | 1090 |
| 1100 | 81             | 3,250           | 58,183               | 107           | 41.3  | 266.7          | 245.7 | 120.6 | 142.0 | 60.0  | 1.5      | 3      | 6    | 42.2         | 0.43         | 1100 |
| 1110 | 121            | 3,000           | 86,411               | 117           | 41.3  | 285.8          | 258.5 | 127.0 | 160.3 | 64.2  | 1.5      | 4.5    | 12.5 | 54.4         | 0.51         | 1110 |
| 1120 | 177            | 2,700           | 126,736              | 136           | 60.3  | 319.0          | 304.4 | 149.2 | 179.4 | 73.4  | 1.5      | 4.5    | 12.5 | 81.6         | 0.73         | 1120 |
| 1130 | 257            | 2,400           | 184,343              | 165           | 66.7  | 377.8          | 329.8 | 161.9 | 217.5 | 75.1  | 1.5      | 6      | 12.5 | 122.5        | 0.91         | 1130 |
| 1140 | 370            | 2,200           | 264,993              | 184           | 66.7  | 416.0          | 371.6 | 182.8 | 254.0 | 78.2  | 1.5      | 6      | 12.5 | 180.1        | 1.13         | 1140 |
| 1150 | 515            | 2,000           | 368,686              | 203           | 108.0 | 476.3          | 371.8 | 182.9 | 269.2 | 106.9 | 1.5      | 6      | 12.5 | 230.0        | 1.95         | 1150 |
| 1160 | 724            | 1,750           | 518,465              | 228           | 120.7 | 533.4          | 402.2 | 198.1 | 304.8 | 114.3 | 1.5      | 6      | 12.5 | 321.1        | 2.81         | 1160 |
| 1170 | 965            | 1,600           | 691,286              | 279           | 133.4 | 584.2          | 437.8 | 215.9 | 355.6 | 119.4 | 1.5      | 6      | 12.5 | 448.2        | 3.49         | 1170 |
| 1180 | 1,338          | 1,400           | 958,584              | 311           | 152.4 | 630.0          | 483.6 | 238.8 | 393.7 | 130.0 | 1.5      | 6      | 12.5 | 591.0        | 3.76         | 1180 |
| 1190 | 1,770          | 1,300           | 1,267,358            | 339           | 152.4 | 685.0          | 524.2 | 259.1 | 436.9 | 135.0 | 1.5      | 6      | 12.5 | 761.0        | 4.40         | 1190 |
| 1200 | 2,413          | 1,100           | 1,728,216            | 361           | 177.8 | 737.0          | 564.8 | 279.4 | 497.8 | 145.0 | 1.5      | 6      | 12.5 | 1,021.0      | 5.62         | 1200 |